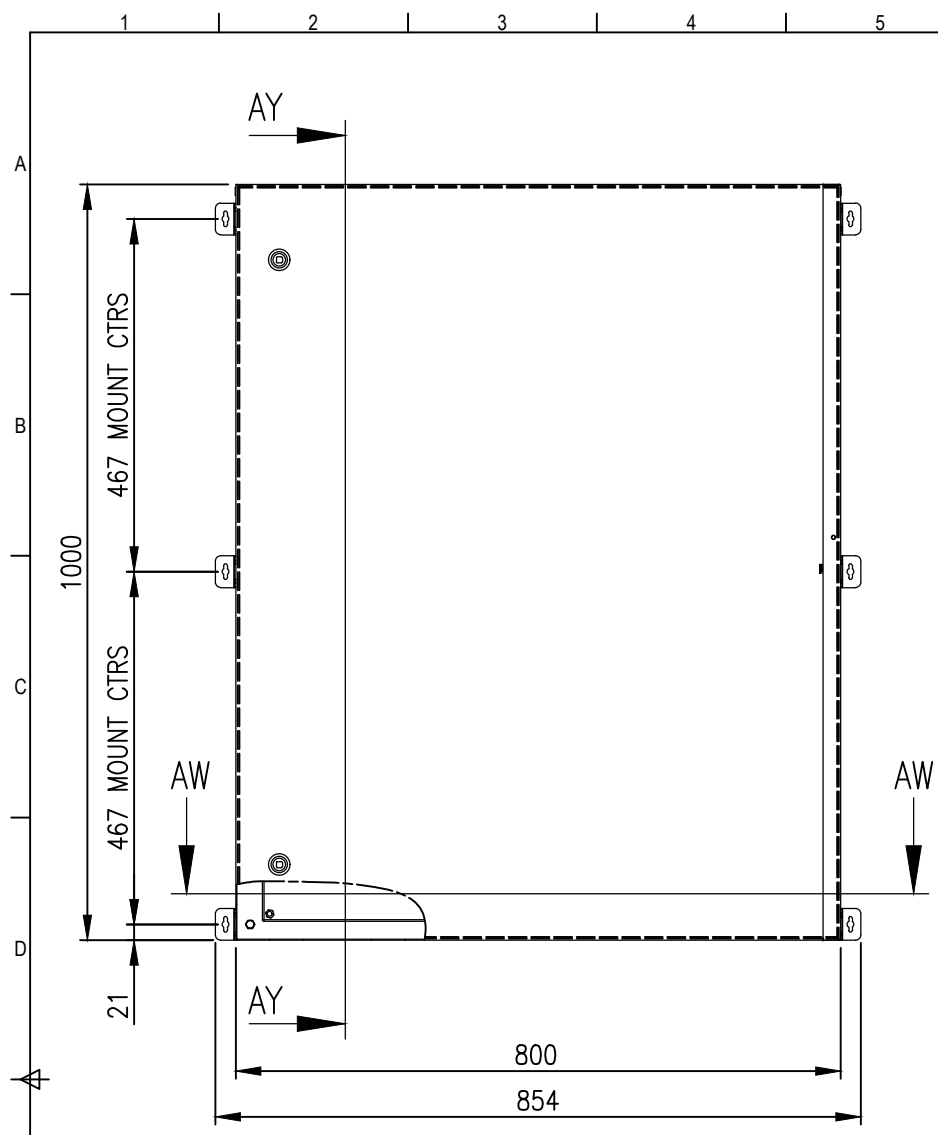
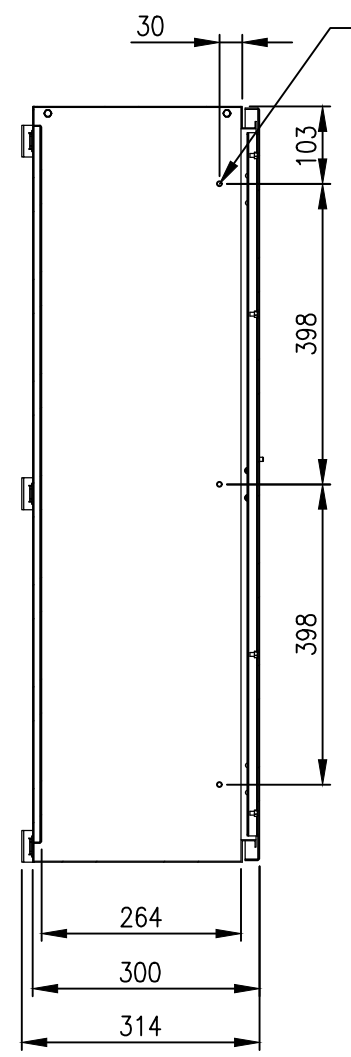


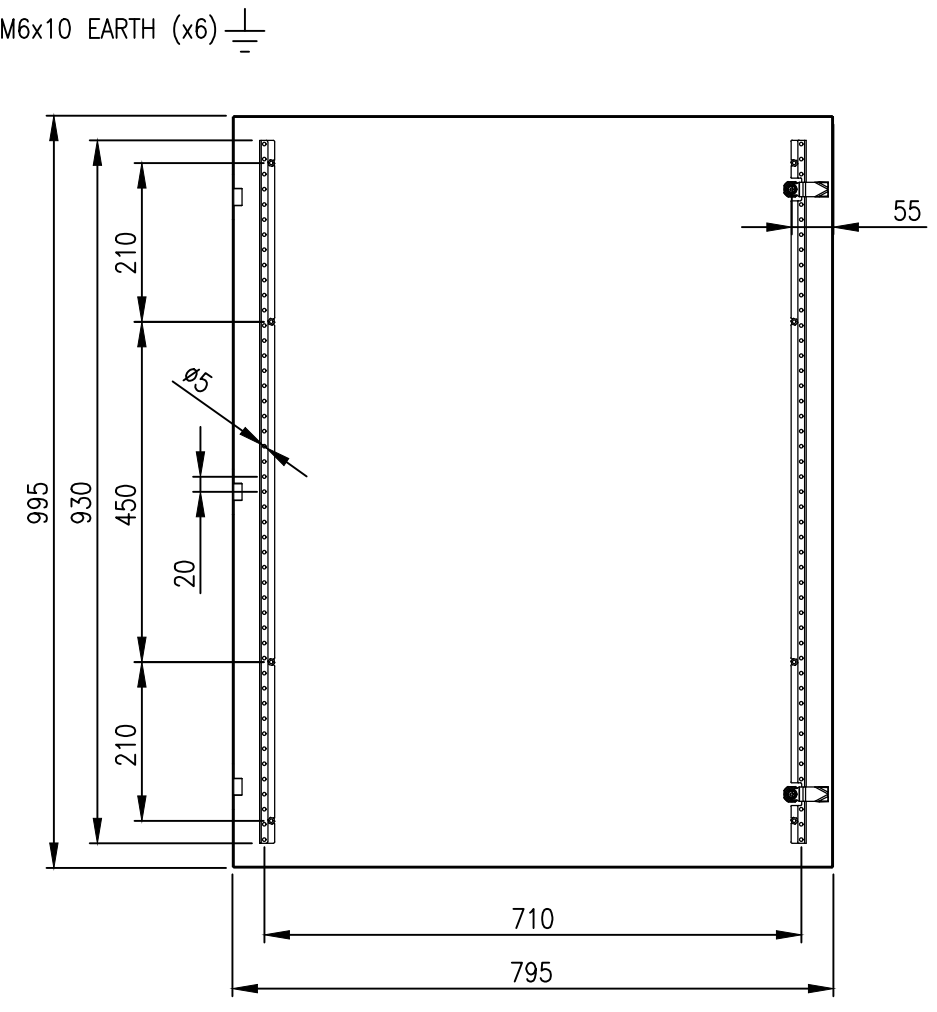
RevNo	Revision note	Date	Signature	Checked
0	GENERAL REVISION		IP	IP



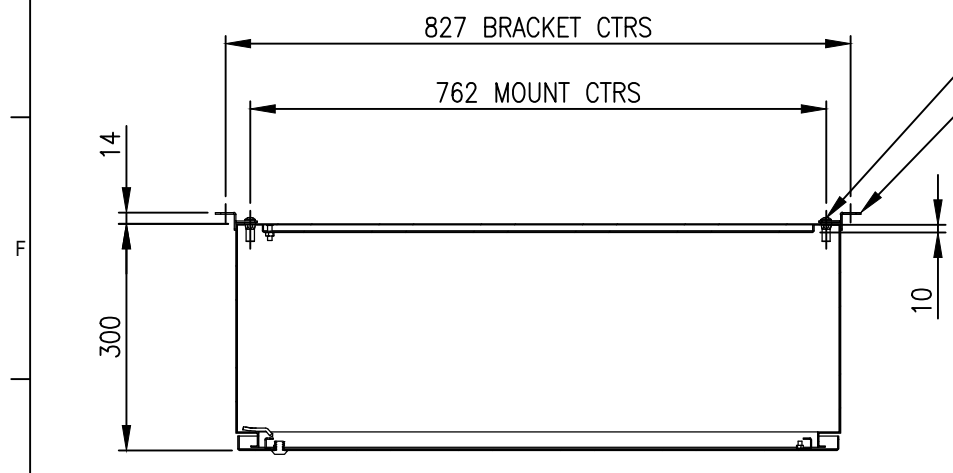
FRONT VIEW



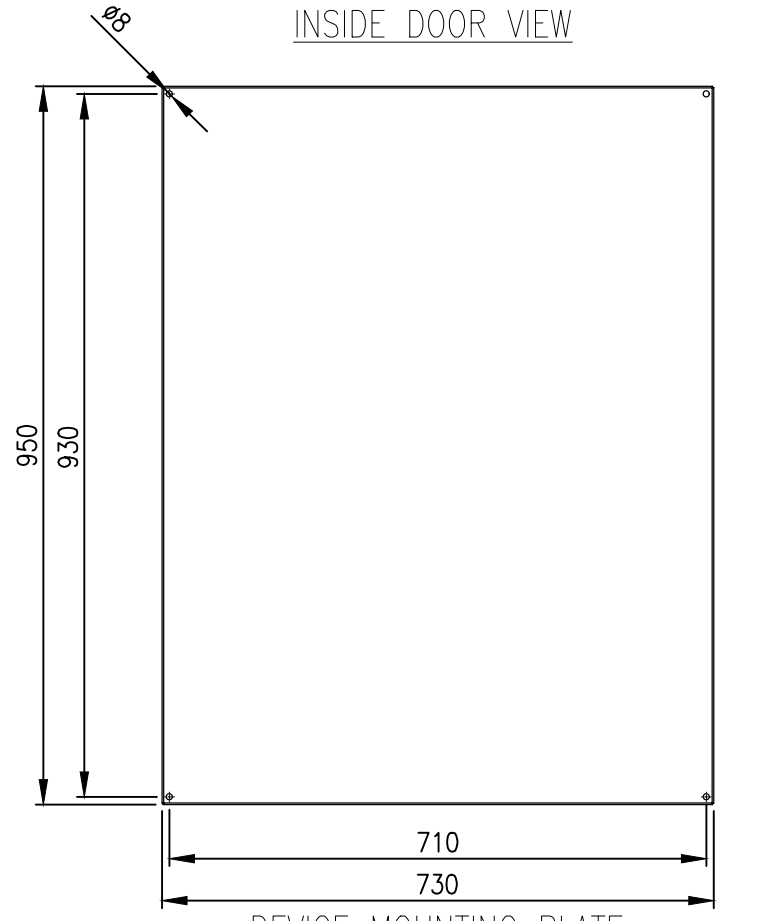
SECTION AY-AY



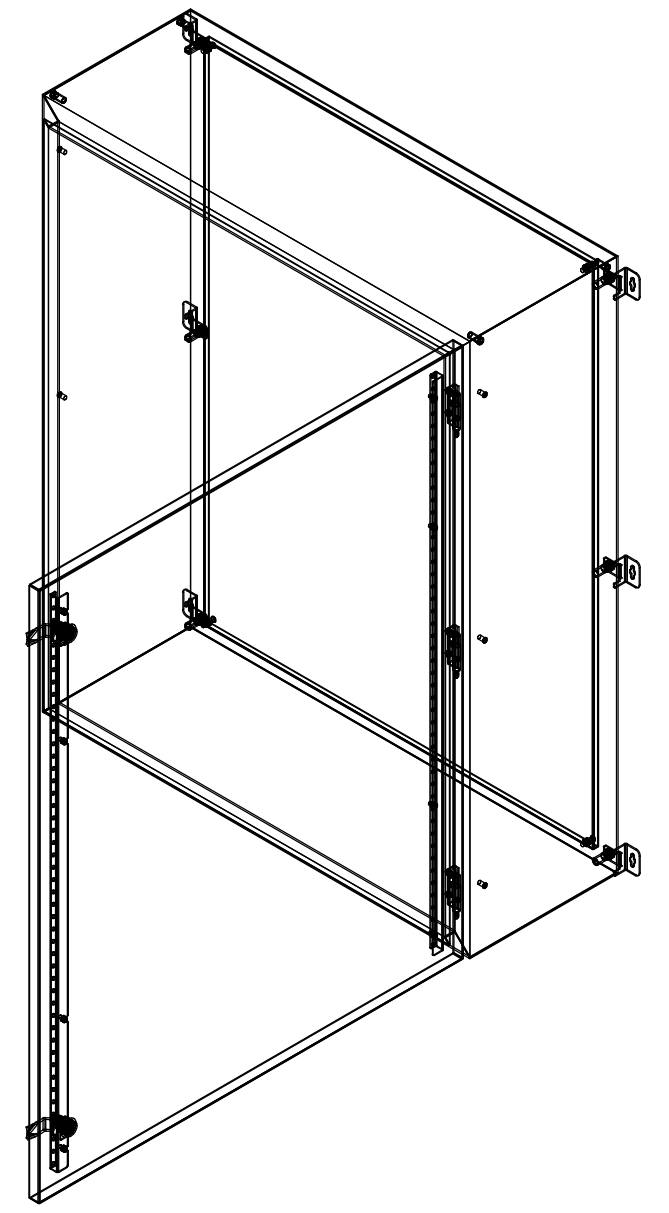
INSIDE DOOR VIEW



SECTION AW-AW



DEVICE MOUNTING PLATE



MATERIAL
 BODY: 1.5mm 304 STAINLESS STEEL
 DOOR: 1.5mm 304 STAINLESS STEEL
 DEVICE PLATE: 1.5mm GALV STEEL
 SEAL: POLYURETHANE

MASS: 45.0kg

PROTECTION: IP66 IK10, NEMA4x
STANDARD: IEC62208, IEC/EN/AS60529

Itemref	Quantity	Title/Name, designation, material, dimension etc	Article No./Reference
IP	1	1000x800x300 304SS ENCLOSURE	IP-304-1008030
IP	1	DEVICE MOUNTING PLATE	IP-304-1008030

© IP ENCLOSURES 2022.
 THIS DRAWING SHALL NOT BE COPIED OR REPRODUCED
 WITHOUT AUTHORISATION FROM IP ENCLOSURES.
 www.ipenclosures.com.au



1000x800x300 304SS ENCLOSURE
 IP-304-1008030 Edition 0 Sheet 1/1