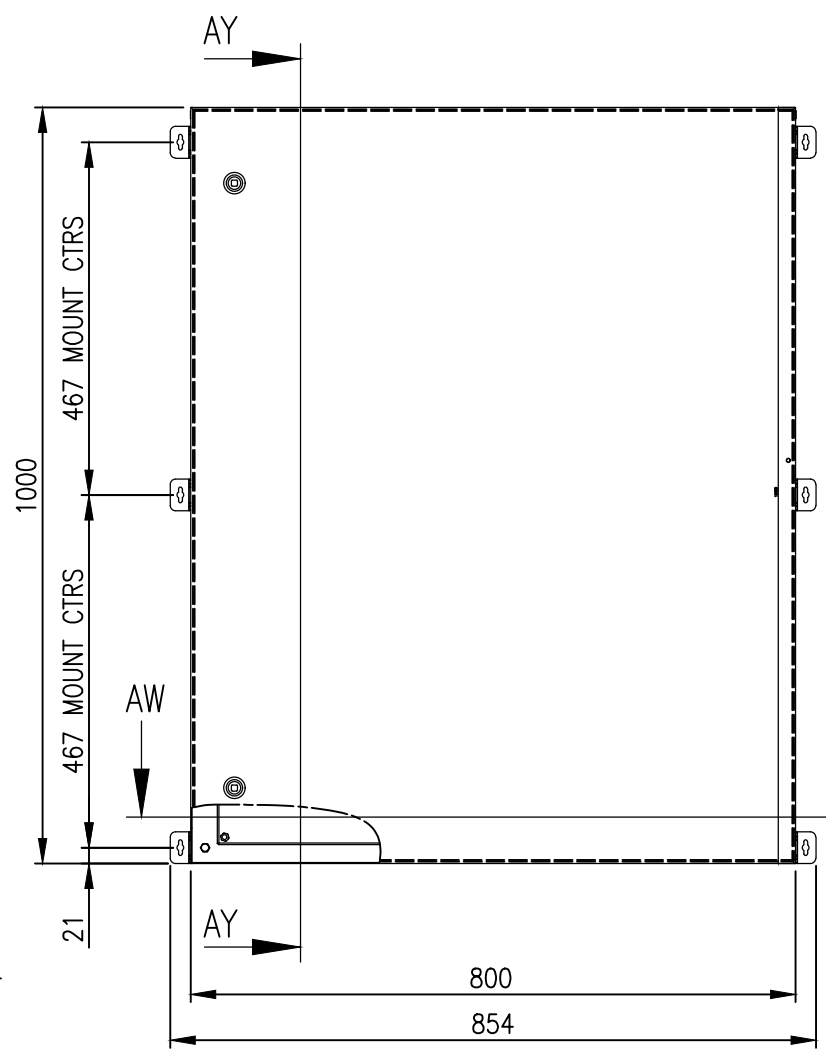
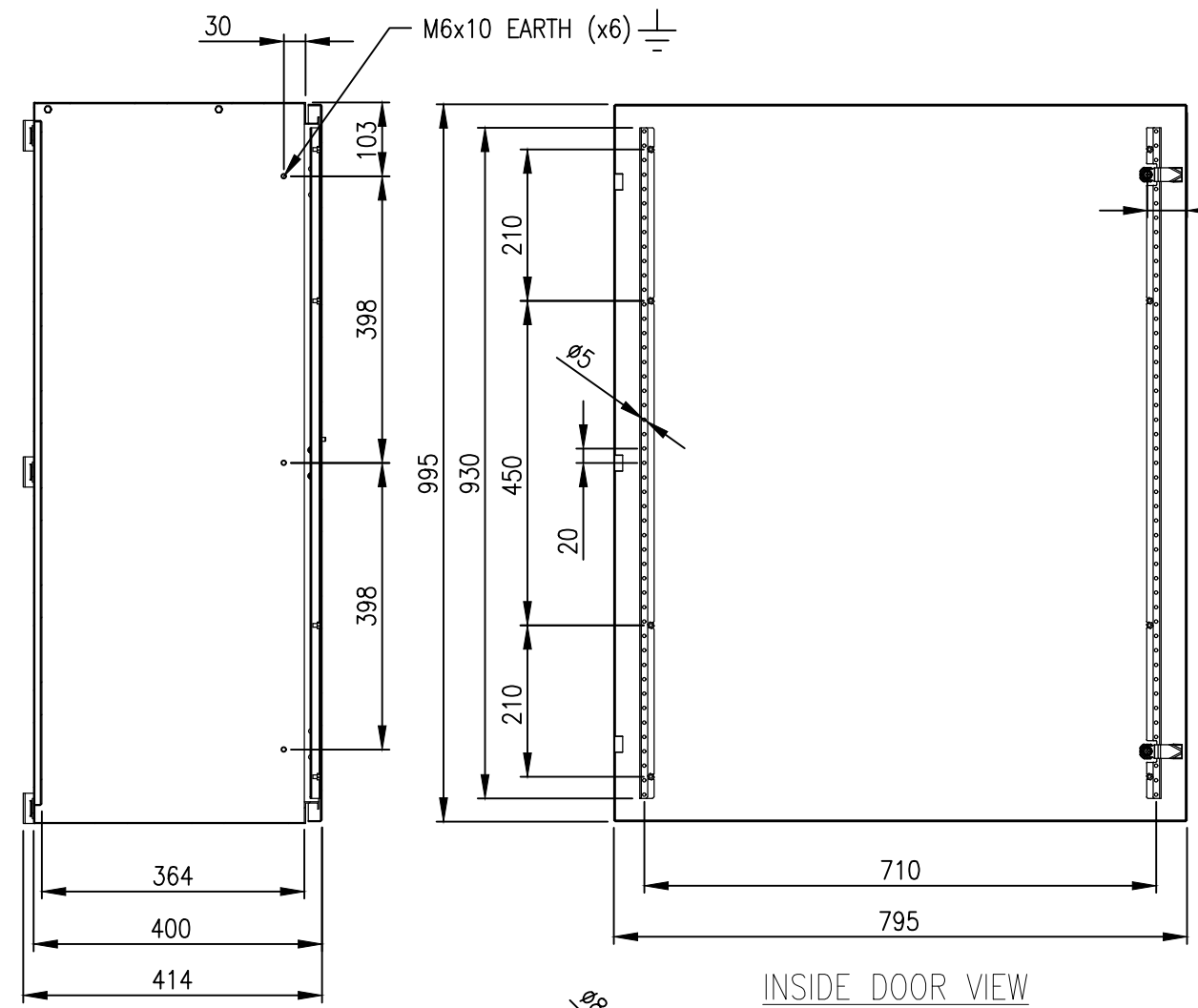


RevNo	Revision note	Date	Signature	Checked
0	GENERAL REVISION		IP	IP

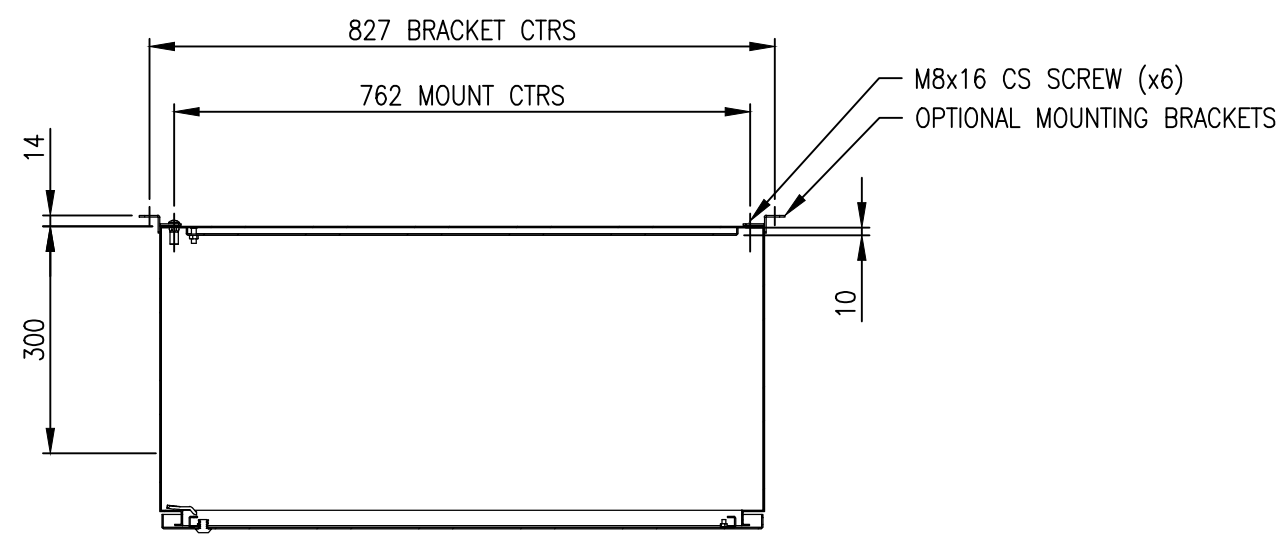
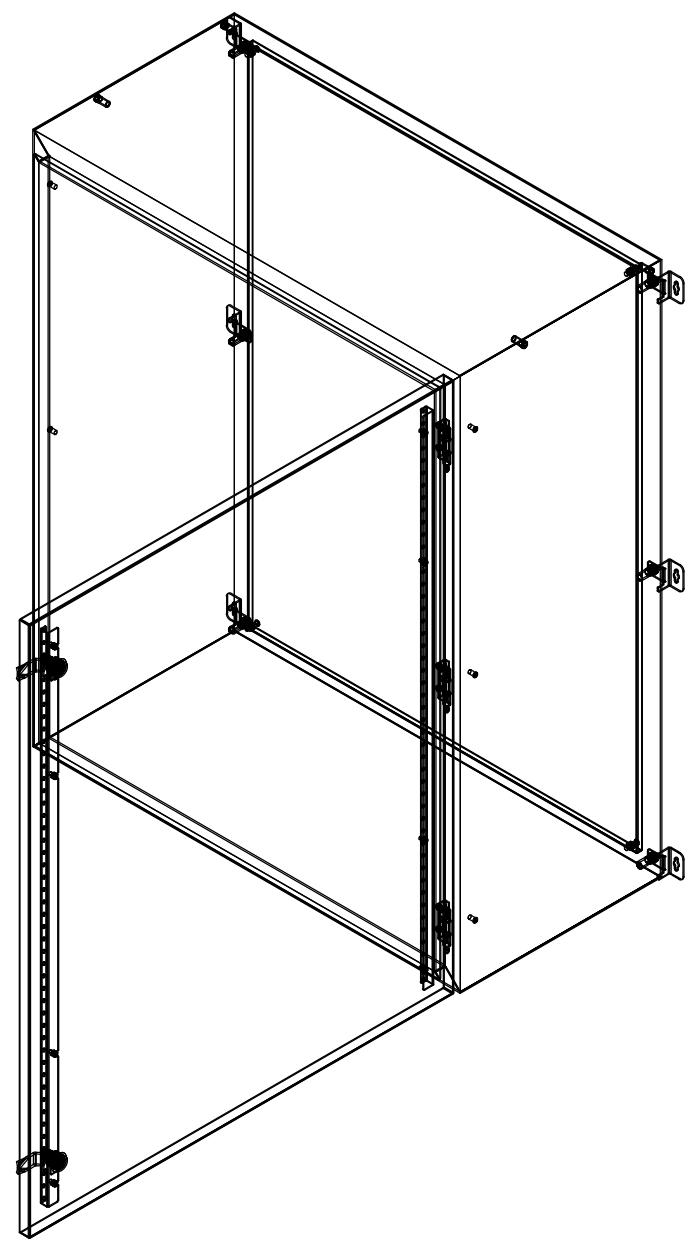


FRONT VIEW

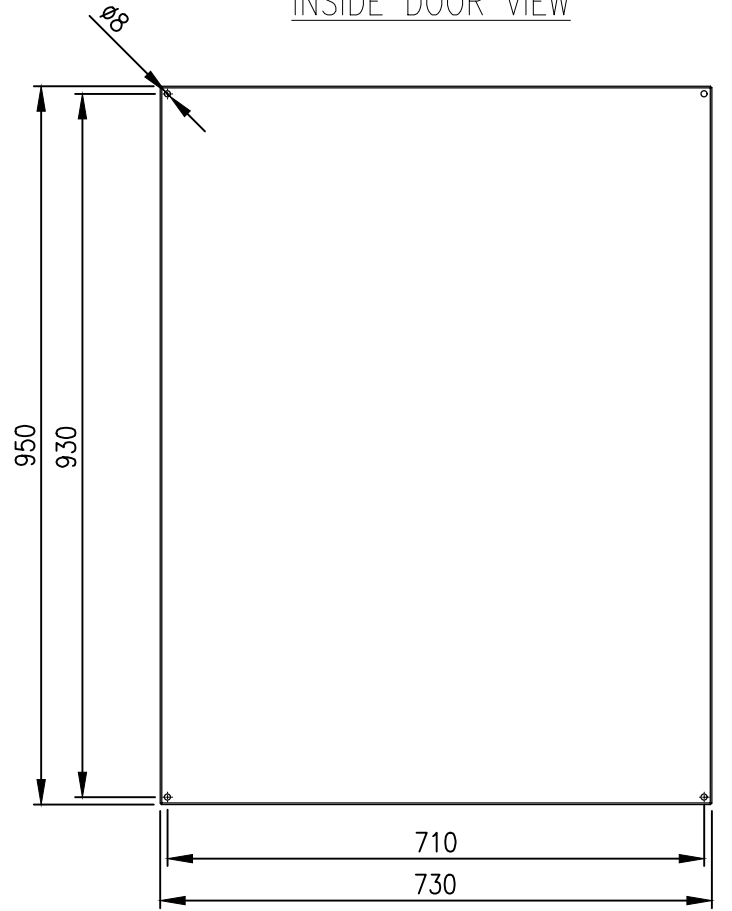


SECTION AY-AY

INSIDE DOOR VIEW



SECTION AW-AW



DEVICE MOUNTING PLATE

**MATERIAL**  
 BODY: 1.5mm 304 STAINLESS STEEL  
 DOOR: 1.5mm 304 STAINLESS STEEL  
 DEVICE PLATE: 1.5mm GALV STEEL  
 SEAL: POLYURETHANE

**MASS:** 51.0kg

**PROTECTION:** IP66 IK10, NEMA4x  
**STANDARD:** IEC62208, IEC/EN/AS60529

© IP ENCLOSURES 2022.  
 THIS DRAWING SHALL NOT BE COPIED OR REPRODUCED  
 WITHOUT AUTHORISATION FROM IP ENCLOSURES.  
 www.ipenclosures.com.au

Itemref	Quantity	Title/Name, designation, material, dimension etc	Article No./Reference
IP	1	1000x800x400 304SS ENCLOSURE	IP-304-1008040
IP	1	DEVICE MOUNTING PLATE	IP-304-1008040



1000x800x400 304SS ENCLOSURE  
 IP-304-1008040  
 Edition 0  
 Sheet 1/1