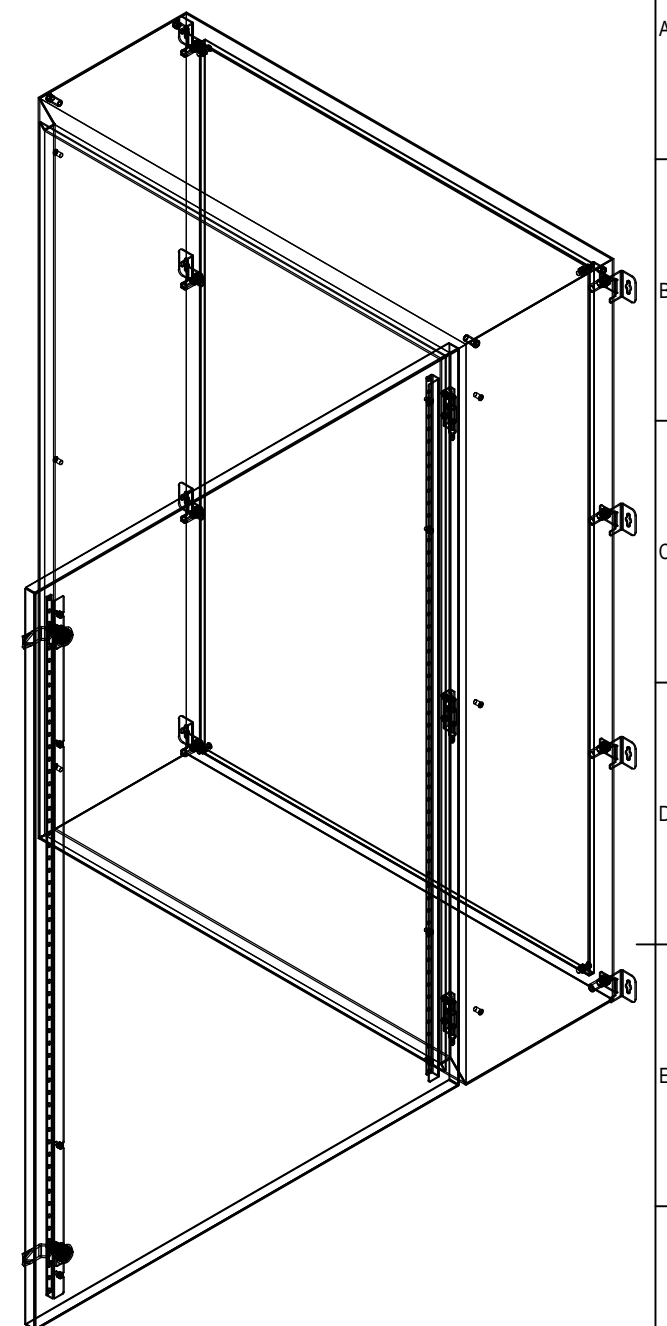
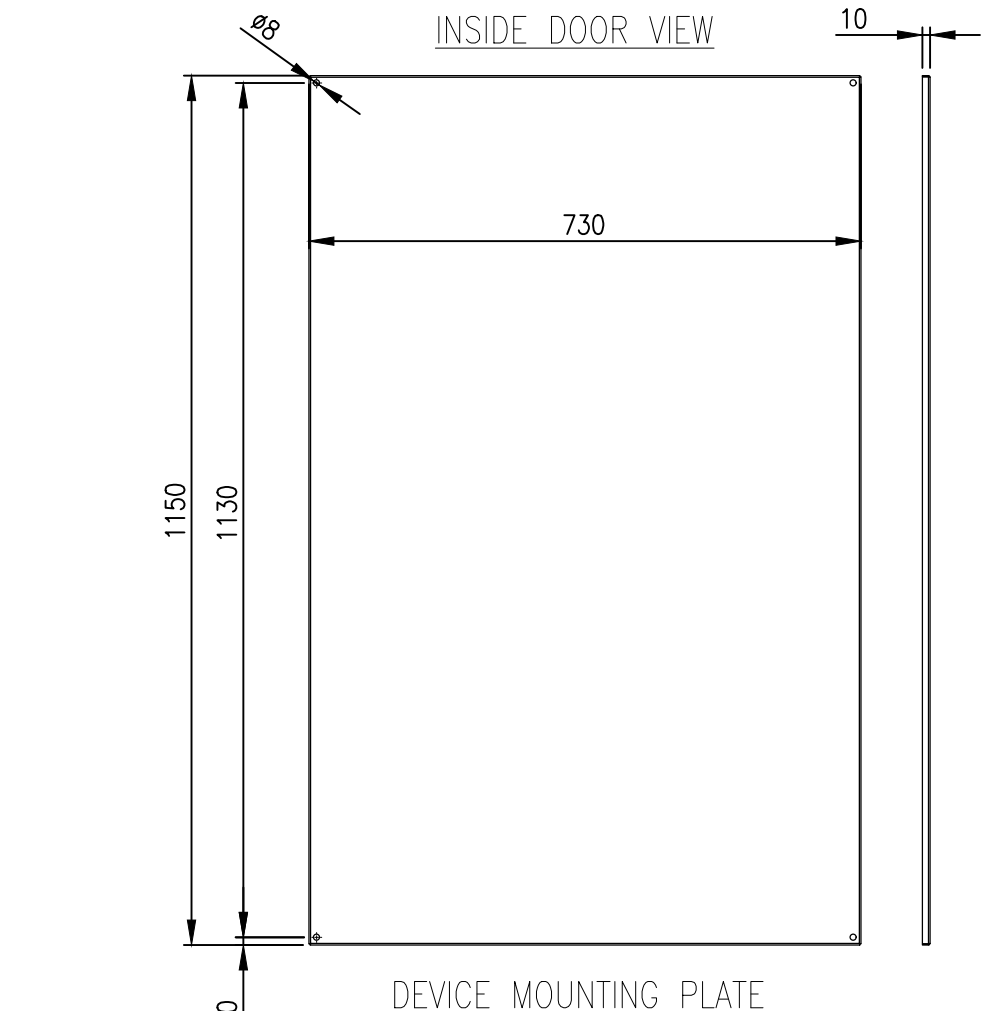
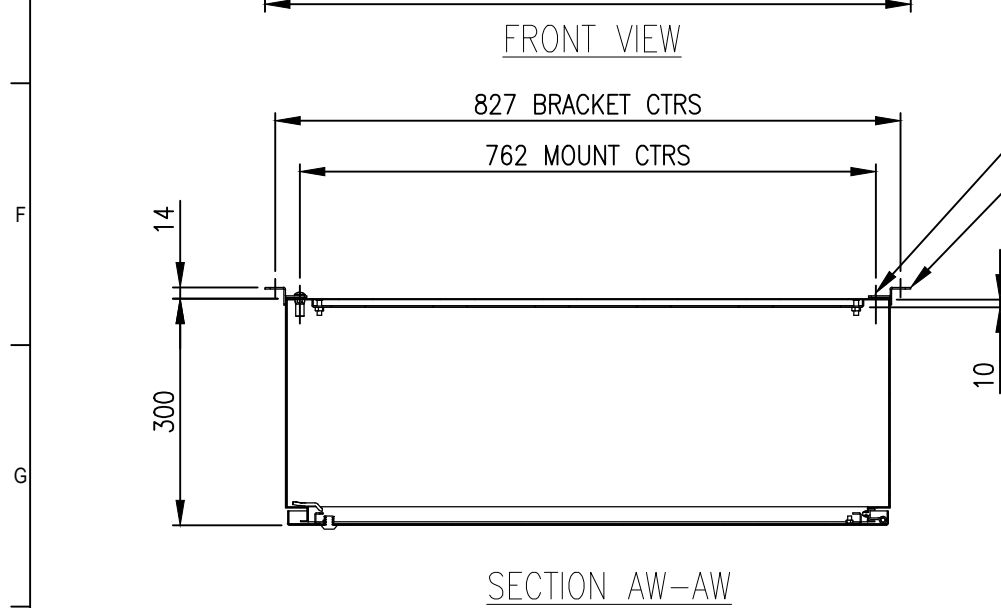
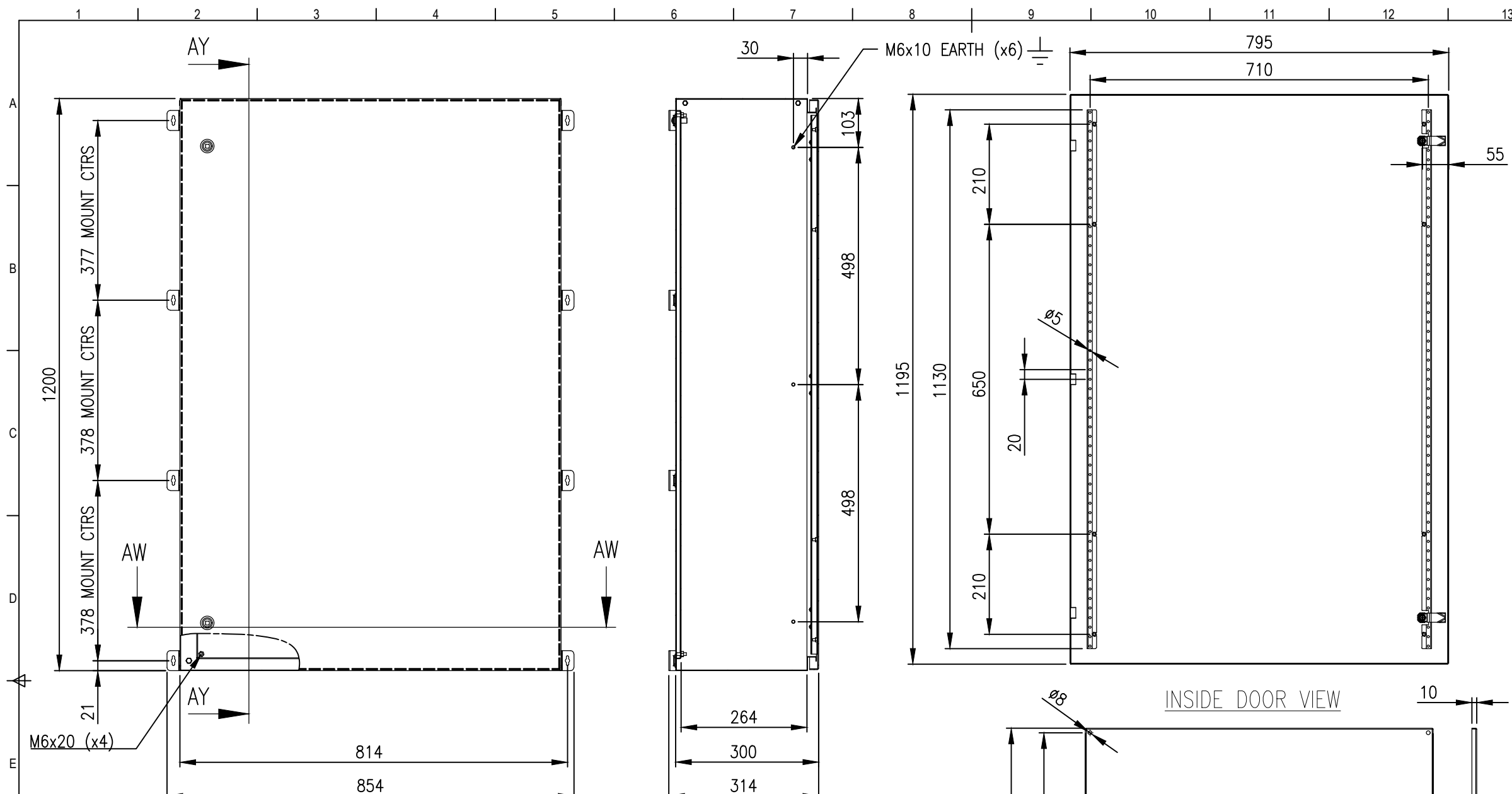


RevNo	Revision note	Date	Signature	Checked
0	GENERAL REVISION		IP	IP



MATERIAL
 BODY: 1.5mm 304 STAINLESS STEEL
 DOOR: 1.5mm 304 STAINLESS STEEL
 DEVICE PLATE: 1.5mm GALV STEEL
 SEAL: POLYURETHANE

MASS: 53.0kg

PROTECTION: IP66 IK10, NEMA4x
STANDARD: IEC62208, IEC/EN/AS60529

© IP ENCLOSURES 2022.
 THIS DRAWING SHALL NOT BE COPIED OR REPRODUCED
 WITHOUT AUTHORISATION FROM IP ENCLOSURES.
 www.ipenclosures.com.au

Itemref	Quantity	Title/Name, designation, material, dimension etc	Article No./Reference
IP	1	1200x800x300 304SS ENCLOSURE	IP-304-1208030
IP	1	1200x800x300 304SS ENCLOSURE	IP-304-1208030

Designed by: IP
 Checked by: IP
 Approved by - date: 28/09/22
 Filename: IP-304-1208030
 Date: 28/09/22
 Scale: 1:10
 Edition: 0
 Sheet: 1/1