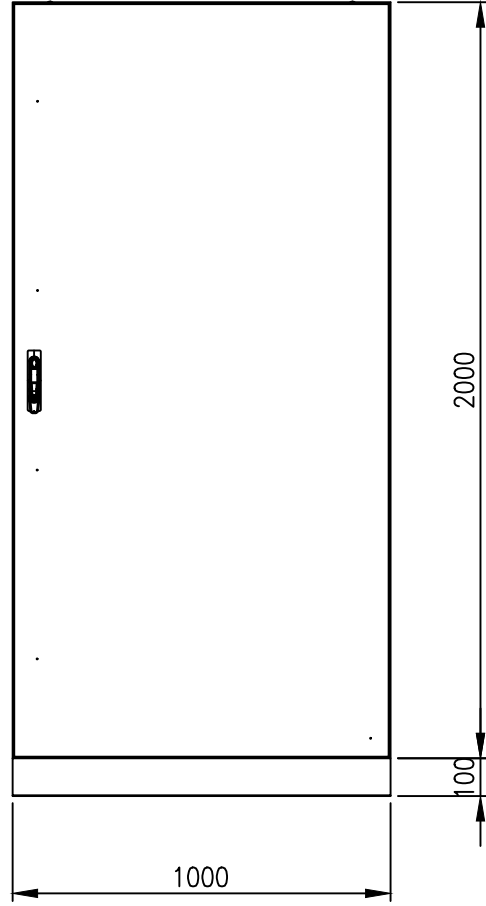


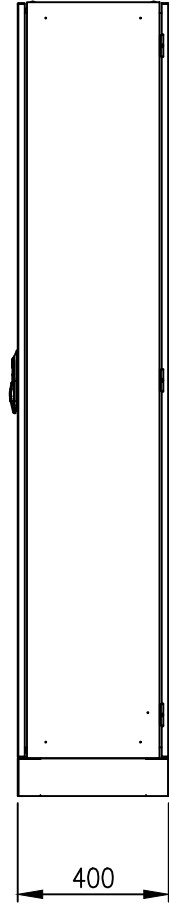
RevNo	Revision note	Date	Signature	Checked
0	GENERAL REVISION		IP	IP



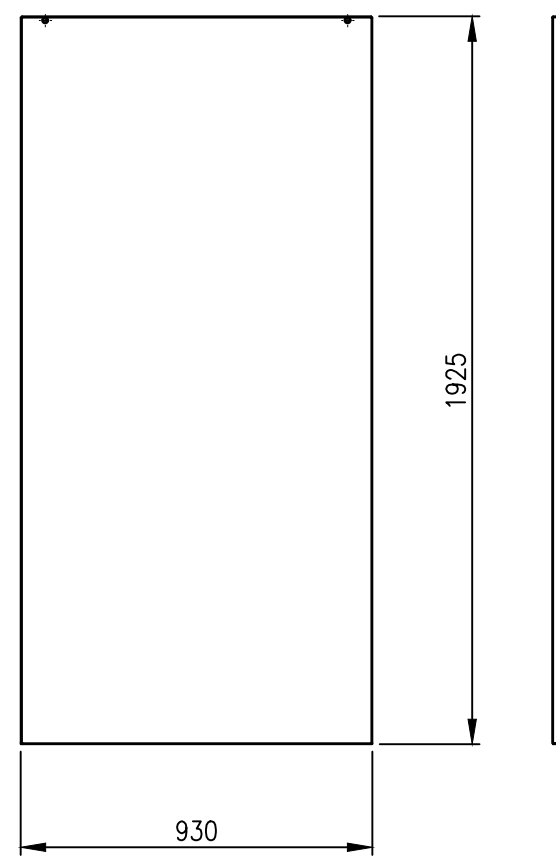
TOP VIEW



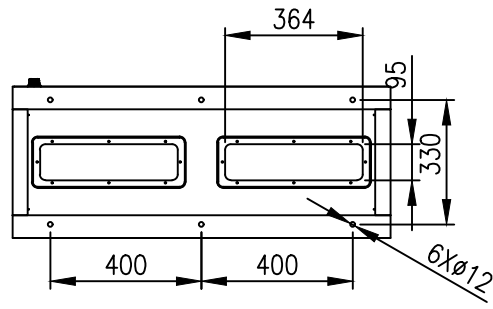
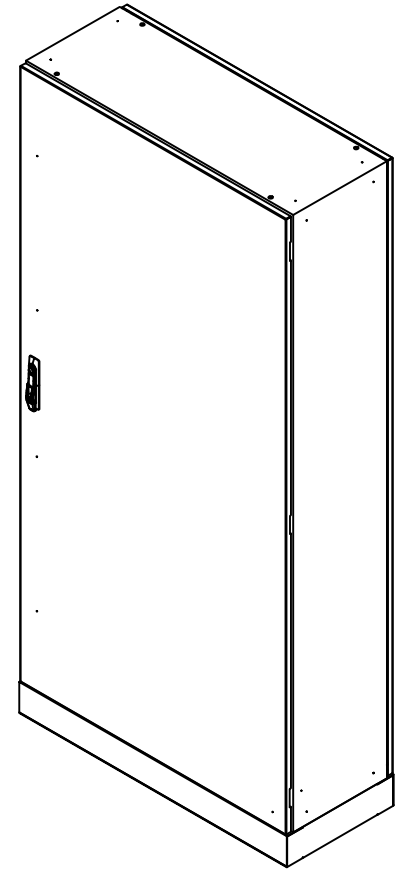
FRONT VIEW



SIDE VIEW



DEVICE MOUNTING PLATE



BOTTOM VIEW

**MATERIAL**  
 BODY: 1.5mm 304 STAINLESS STEEL  
 DOOR: 1.5mm 304 STAINLESS STEEL  
 DEVICE PLATE: 1.5mm GALV STEEL  
 SEAL: POLYURETHANE

**PROTECTION:** IP66 IK10, NEMA4x  
**STANDARD:** IEC62208, IEC/EN/AS60529

© IP ENCLOSURES 2022.  
 THIS DRAWING SHALL NOT BE COPIED OR REPRODUCED  
 WITHOUT AUTHORISATION FROM IP ENCLOSURES.  
 www.ipenclosures.com.au

Itemref	Quantity	Title/Name, designation, material, dimension etc	Article No./Reference
IP	1	2000x1000x400 304SS ENCLOSURE	IP-304-20010040
Designed by	Checked by	Approved by - date	Filename
IP	IP	28/09/22	IP-304-20010040
Date	Scale	Edition	
28/09/22	1:20	0	
Sheet			1/1