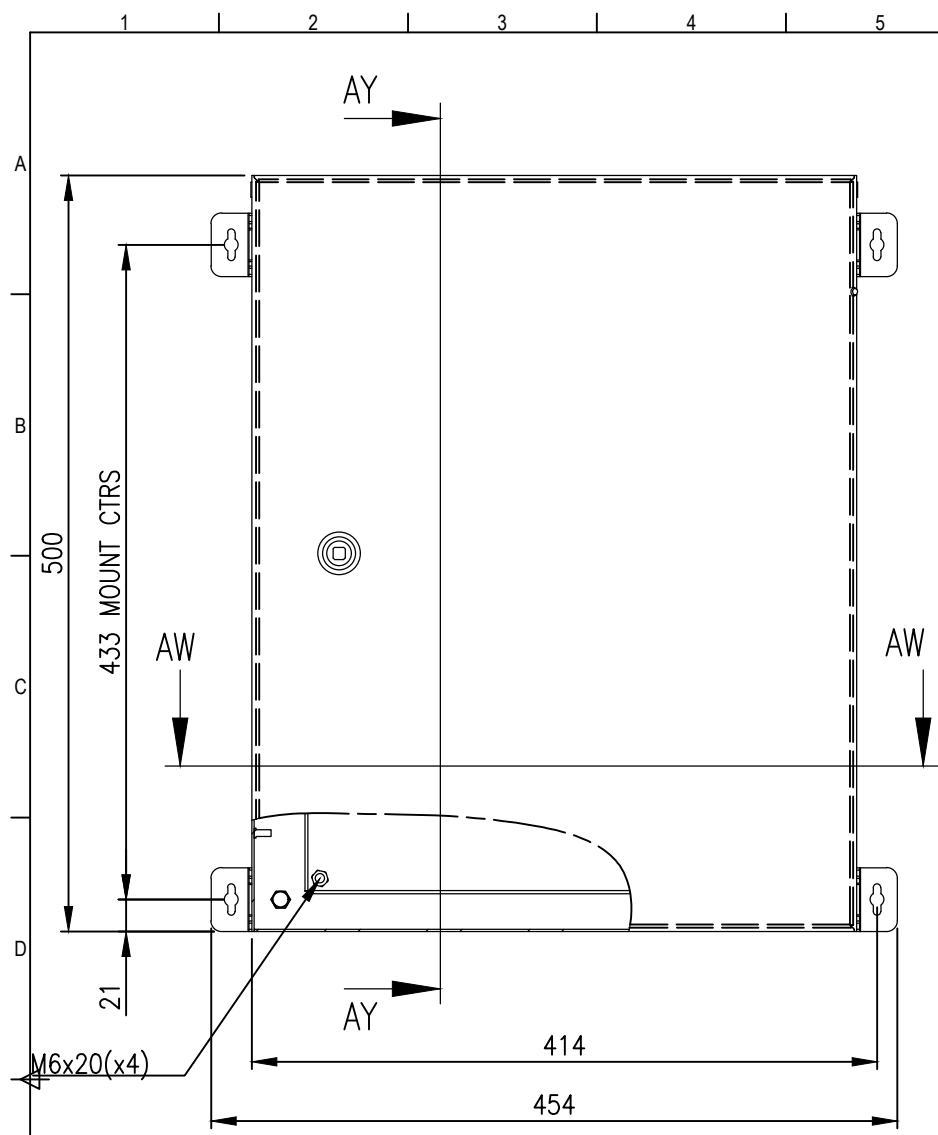
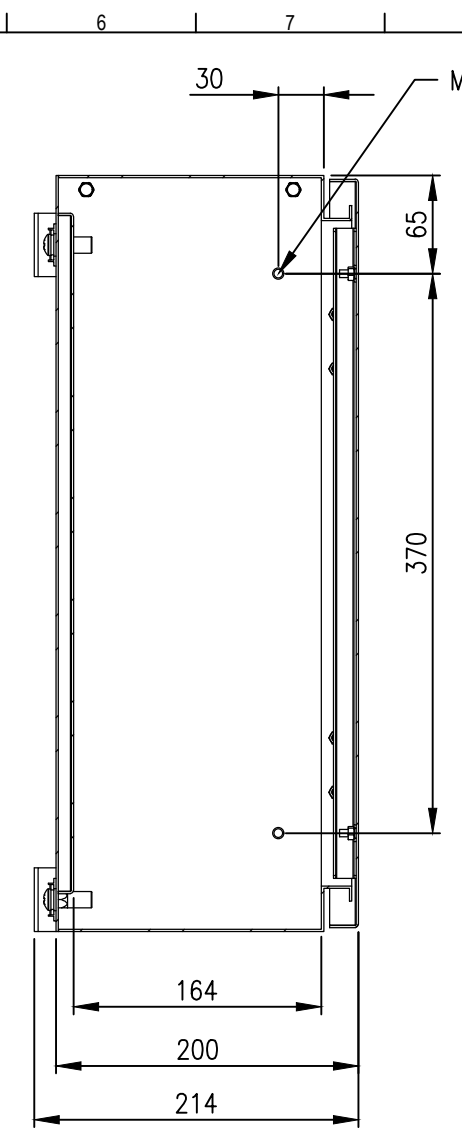


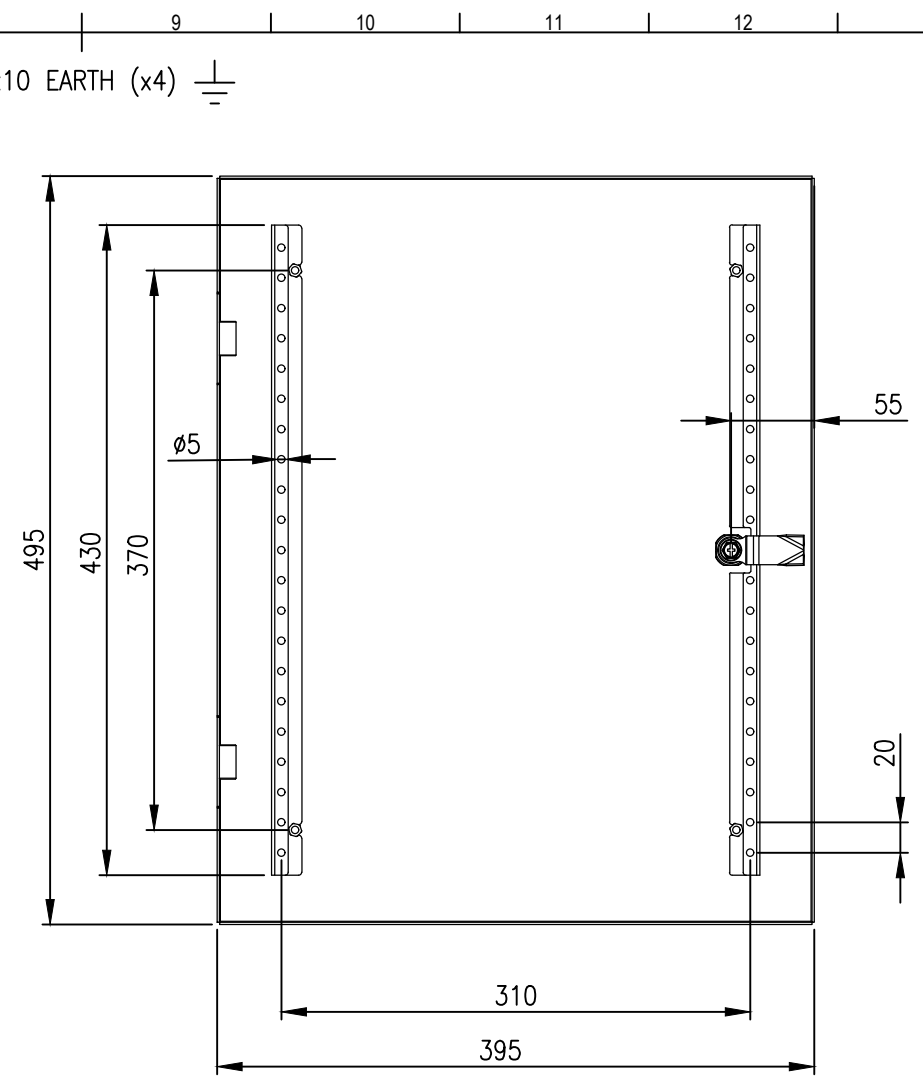
| RevNo | Revision note    | Date | Signature | Checked |
|-------|------------------|------|-----------|---------|
| 0     | GENERAL REVISION |      | IP        | IP      |



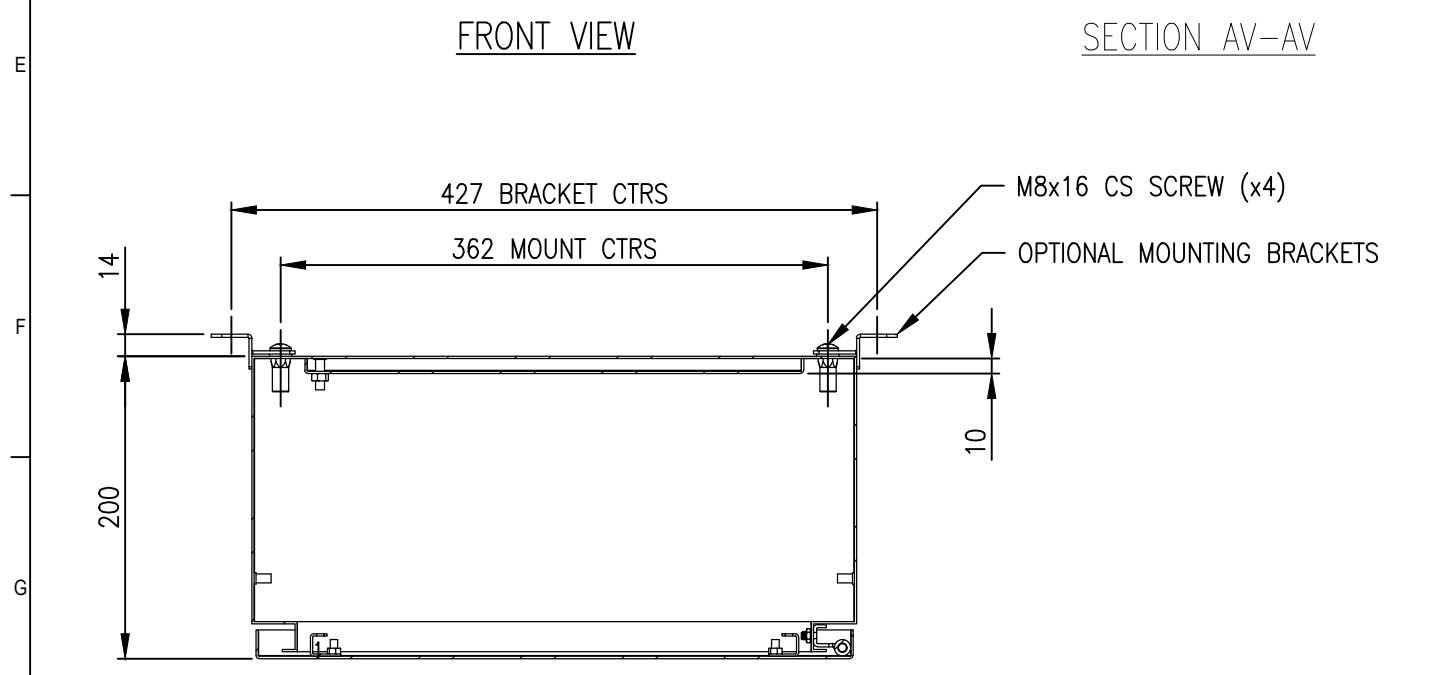
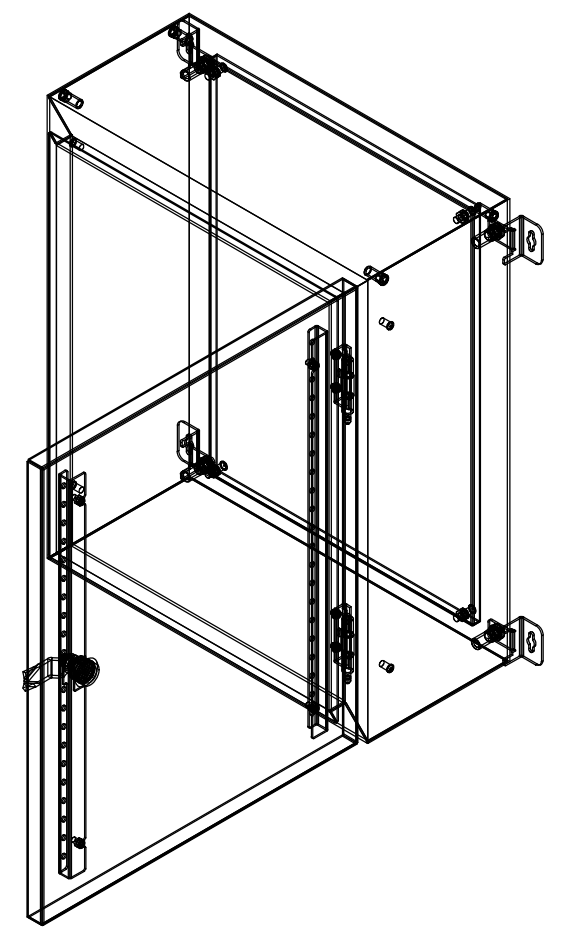
FRONT VIEW



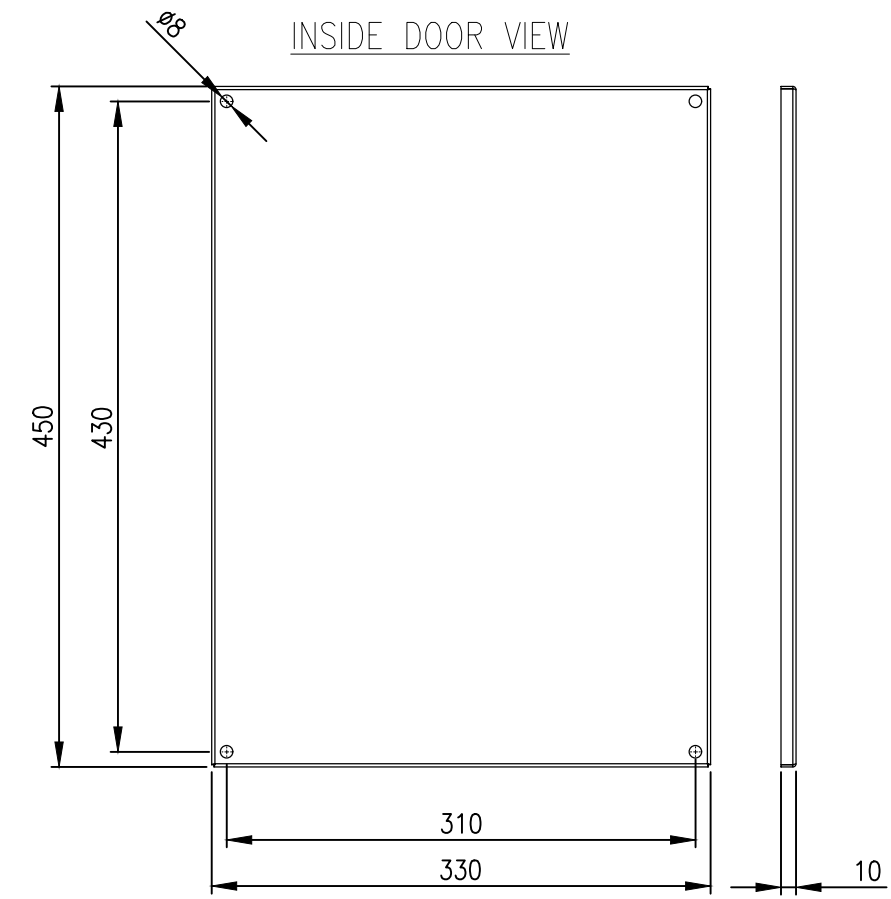
SECTION AV-AV



INSIDE DOOR VIEW



SECTION AW-AW



DEVICE MOUNTING PLATE

**MATERIAL**  
 BODY: 1.5mm 304 STAINLESS STEEL  
 DOOR: 1.5mm 304 STAINLESS STEEL  
 DEVICE PLATE: 1.5mm GALV STEEL  
 SEAL: POLYURETHANE

**MASS:** 12.9kg

**PROTECTION:** IP66 IK10, NEMA4x  
**STANDARD:** IEC62208, IEC/EN/AS60529

© IP ENCLOSURES 2022.  
 THIS DRAWING SHALL NOT BE COPIED OR REPRODUCED  
 WITHOUT AUTHORISATION FROM IP ENCLOSURES.  
 www.ipenclosures.com.au

| Itemref | Quantity | Title/Name, designation, material, dimension etc | Article No./Reference |
|---------|----------|--|-----------------------|
| IP      | 1        | 500x400x200 304SS ENCLOSURE                      | IP-304-504020         |
| IP      | 1        | DEVICE MOUNTING PLATE                            | IP-304-504020         |



500x400x200 304SS ENCLOSURE  
 IP-304-504020  
 Edition 0  
 Sheet 1/1