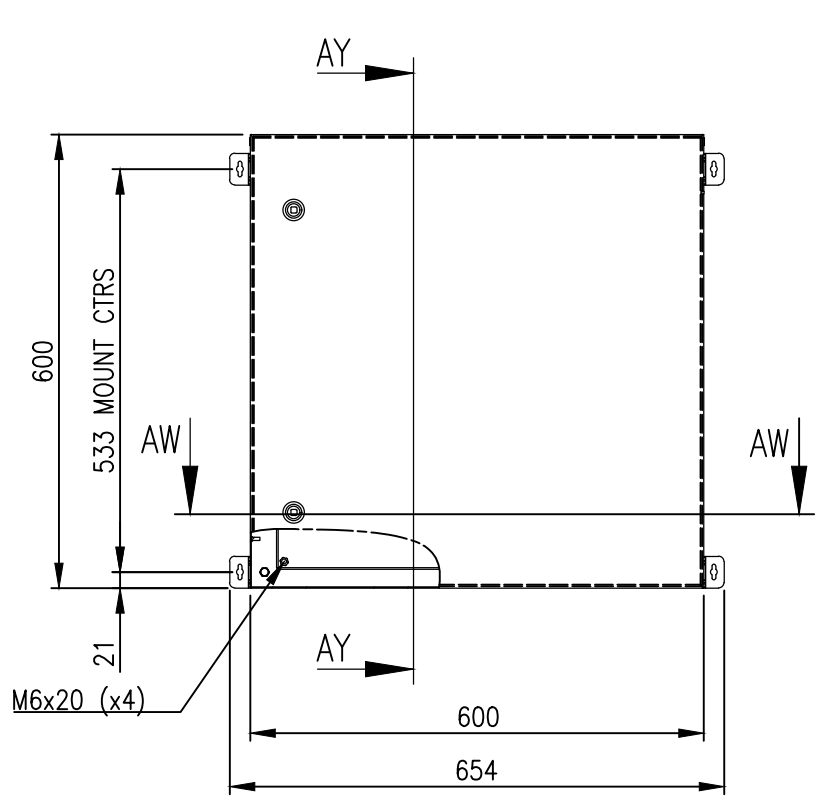
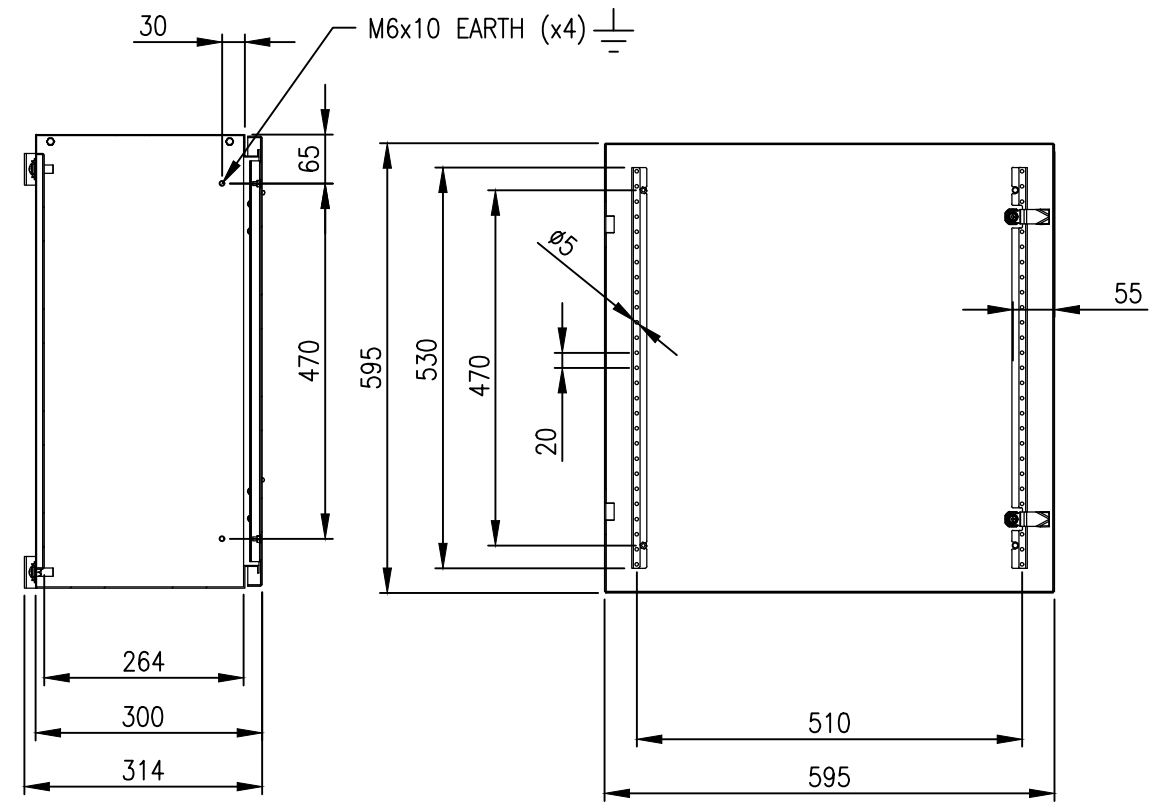


RevNo	Revision note	Date	Signature	Checked
0	GENERAL REVISION		IP	IP

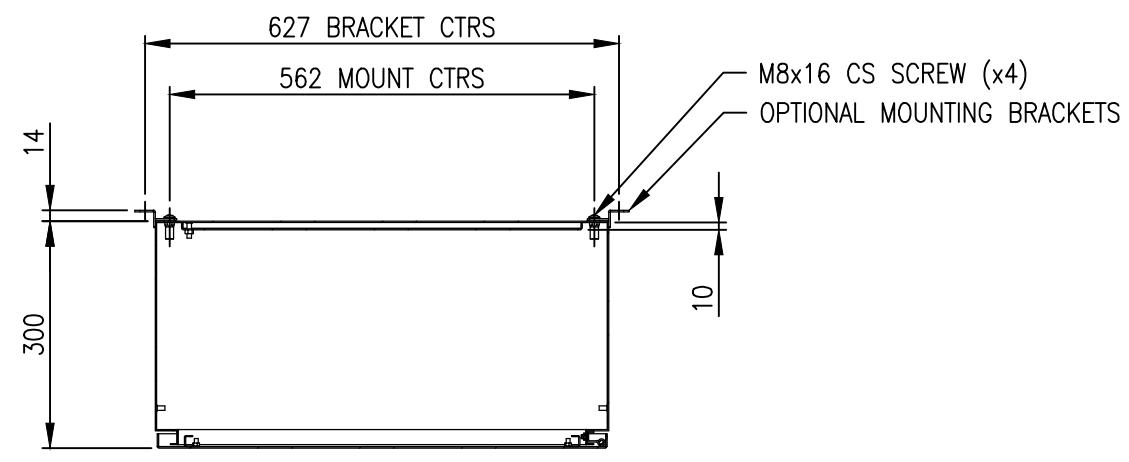
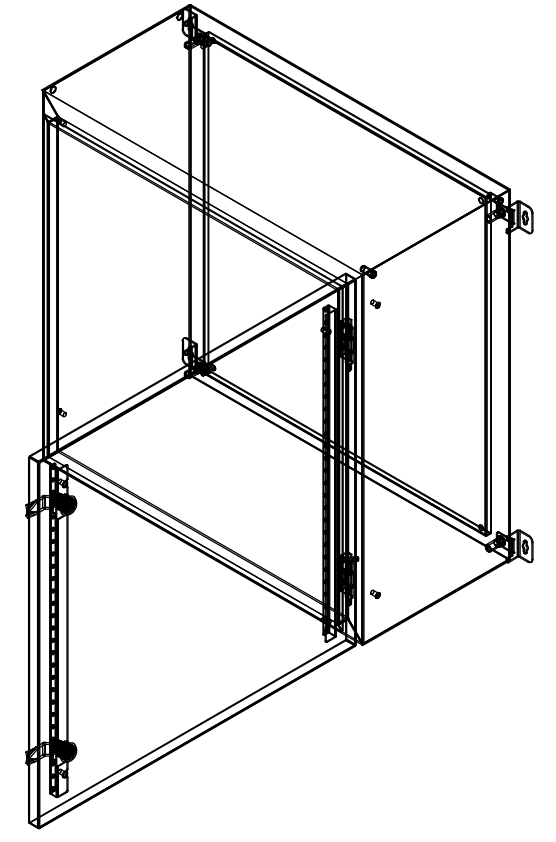


FRONT VIEW

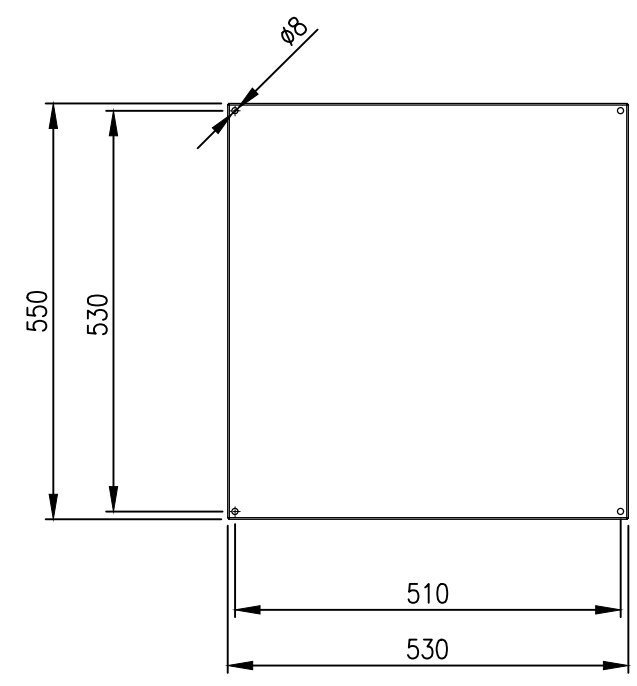


SECTION AY-AY

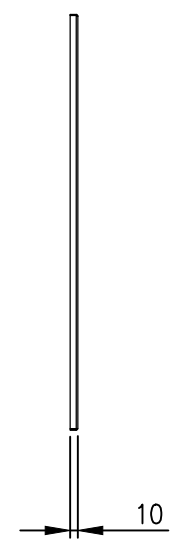
INSIDE DOOR VIEW



SECTION AW-AW



DEVICE MOUNTING PLATE



**MATERIAL**  
 BODY: 1.5mm 304 STAINLESS STEEL  
 DOOR: 1.5mm 304 STAINLESS STEEL  
 DEVICE PLATE: 1.5mm GALV STEEL  
 SEAL: POLYURETHANE

**MASS:** 24.0kg

**PROTECTION:** IP66 IK10, NEMA4x  
**STANDARD:** IEC62208, IEC/EN/AS60529

© IP ENCLOSURES 2022.  
 THIS DRAWING SHALL NOT BE COPIED OR REPRODUCED  
 WITHOUT AUTHORISATION FROM IP ENCLOSURES.  
 www.ipenclosures.com.au

Itemref	Quantity	Title/Name, designation, material, dimension etc	Article No./Reference
Designed by IP	Checked by IP	Approved by - date 28/09/22	Filename IP-304606030
Date 28/09/22		Scale 1:10	
IP Enclosures			600x600x300 304SS ENCLOSURE
IP-304-606030			Edition 0
			Sheet 1/1