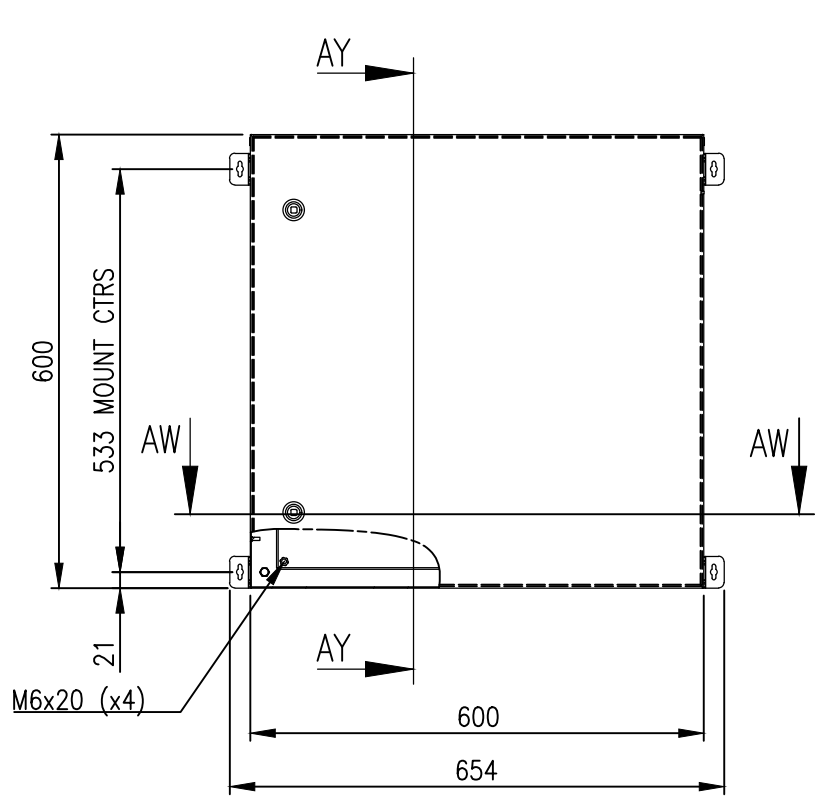
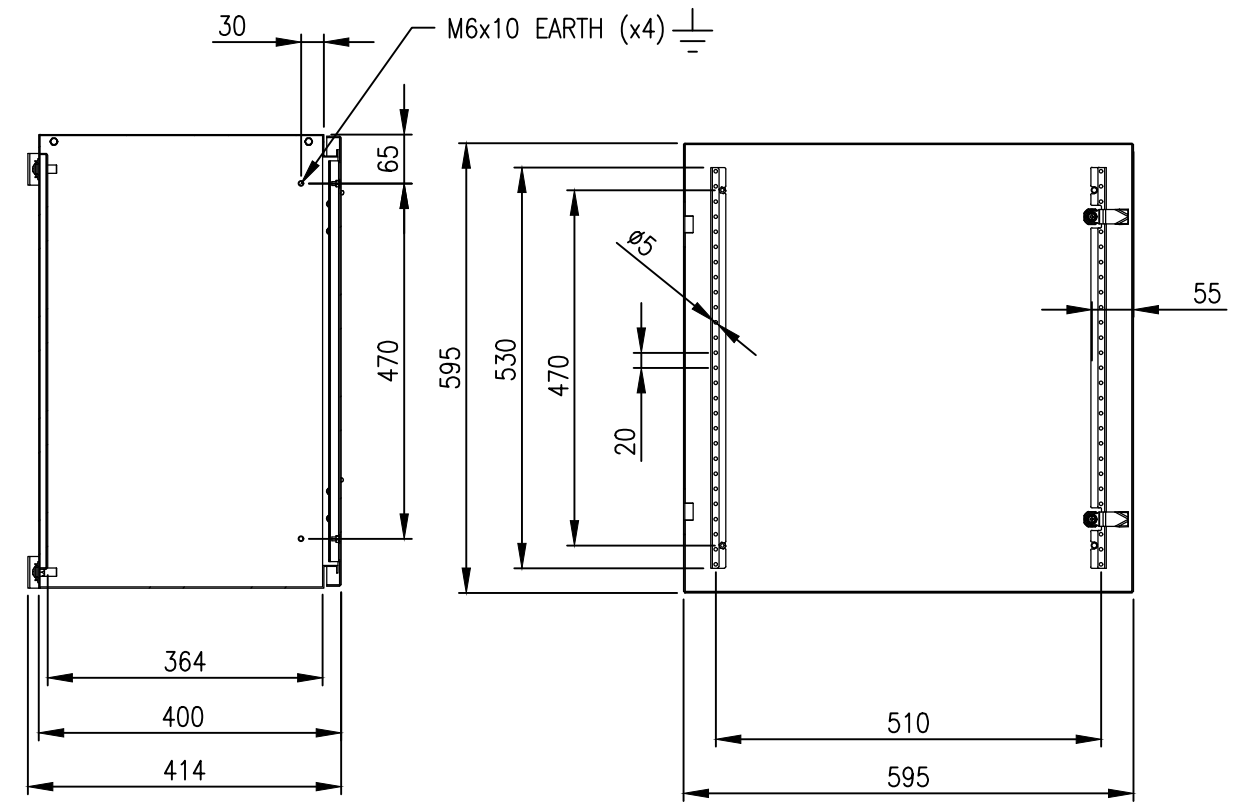


RevNo	Revision note	Date	Signature	Checked
0	GENERAL REVISION		IP	IP

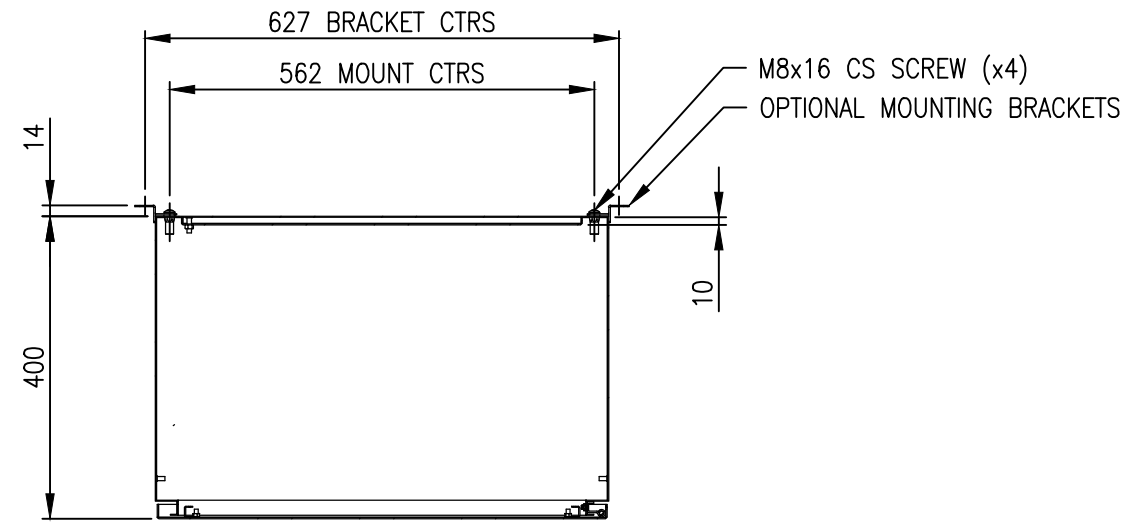
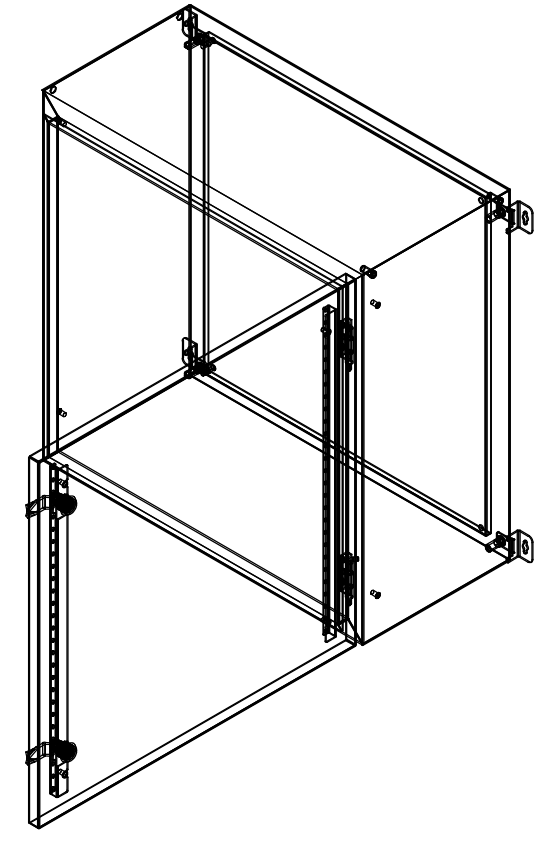


FRONT VIEW

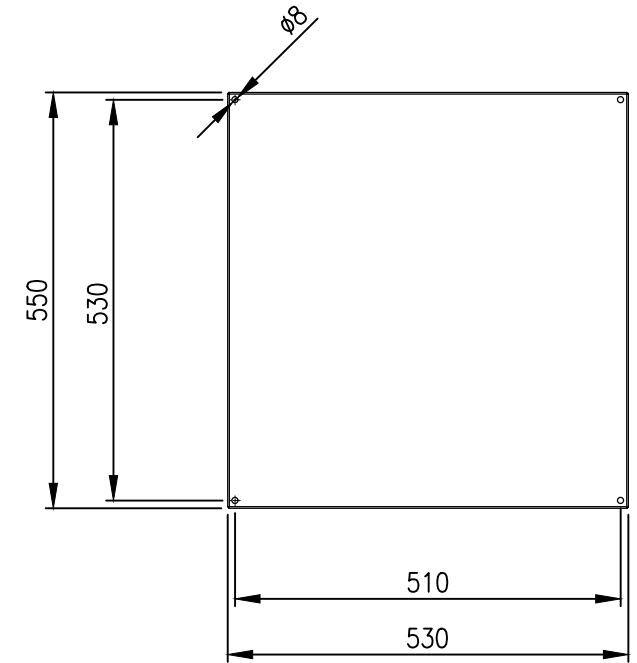


SECTION AY-AY

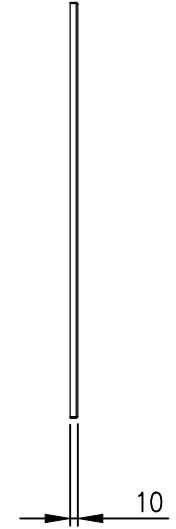
INSIDE DOOR VIEW



SECTION AW-AW



DEVICE MOUNTING PLATE



MATERIAL
 BODY: 1.5mm 304 STAINLESS STEEL
 DOOR: 1.5mm 304 STAINLESS STEEL
 DEVICE PLATE: 1.5mm GALV STEEL
 SEAL: POLYURETHANE

MASS: 28.0kg
PROTECTION: IP66 IK10, NEMA4x
STANDARD: IEC62208, IEC/EN/AS60529

© IP ENCLOSURES 2022.
 THIS DRAWING SHALL NOT BE COPIED OR REPRODUCED
 WITHOUT AUTHORISATION FROM IP ENCLOSURES.
 www.ipenclosures.com.au

Itemref	Quantity	Title/Name, designation, material, dimension etc	Article No./Reference
Designed by IP	Checked by IP	Approved by - date 28/09/22	Filename IP-304-606040
Date 28/09/22		Scale 1:10	
Edition 0		Sheet 1/1	
IP Enclosures		600x600x400 304SS ENCLOSURE	
IP-304-606040			