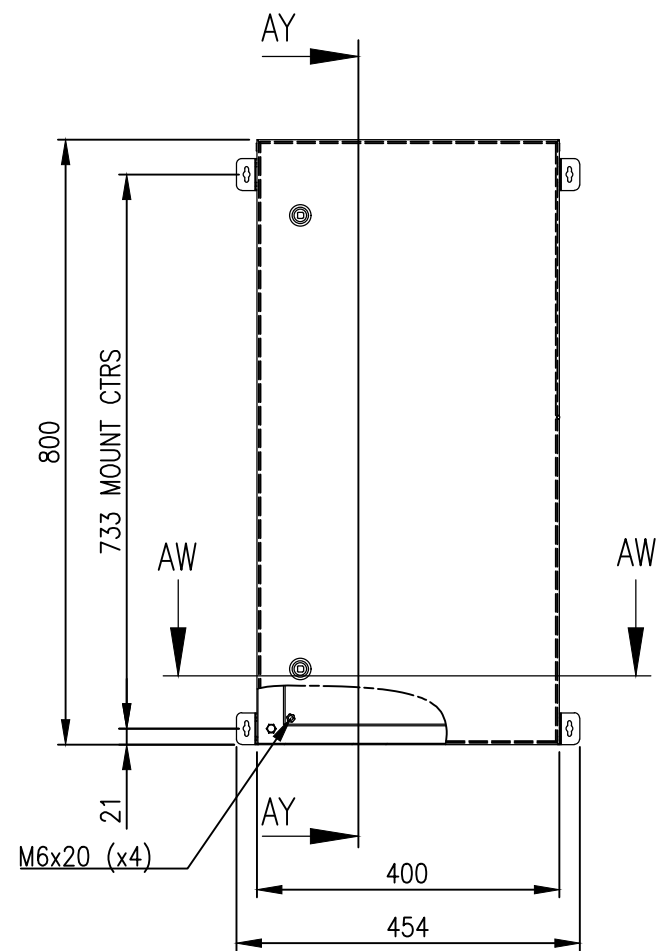
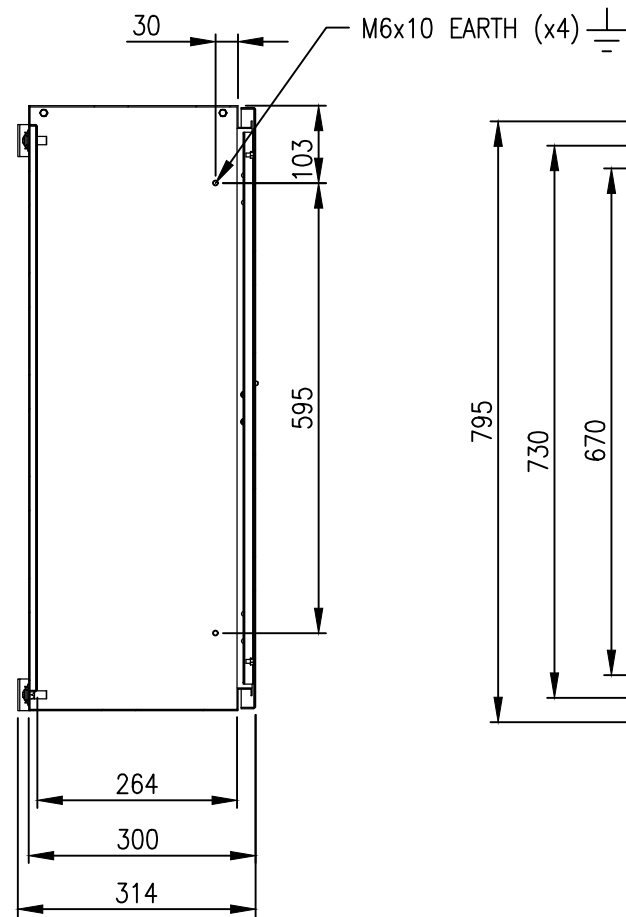


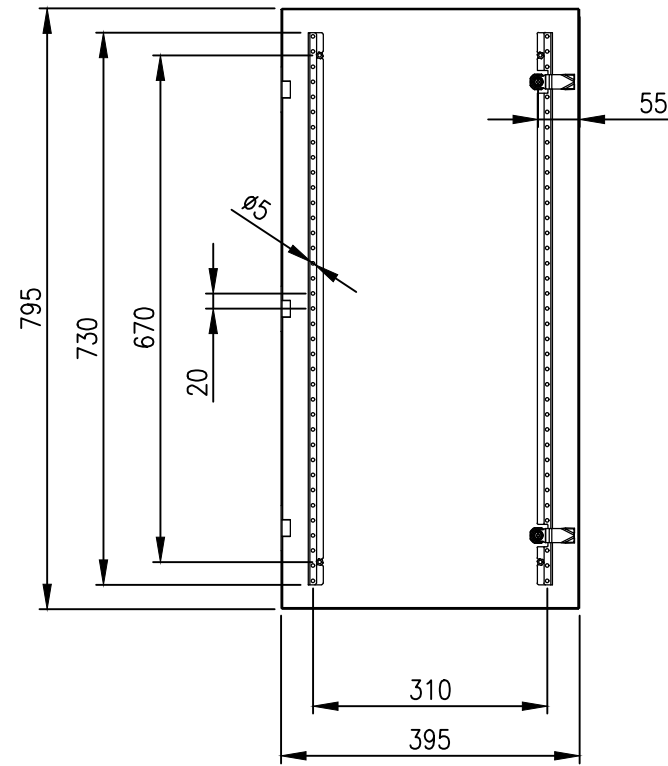
RevNo	Revision note	Date	Signature	Checked
0	GENERAL REVISION		IP	IP



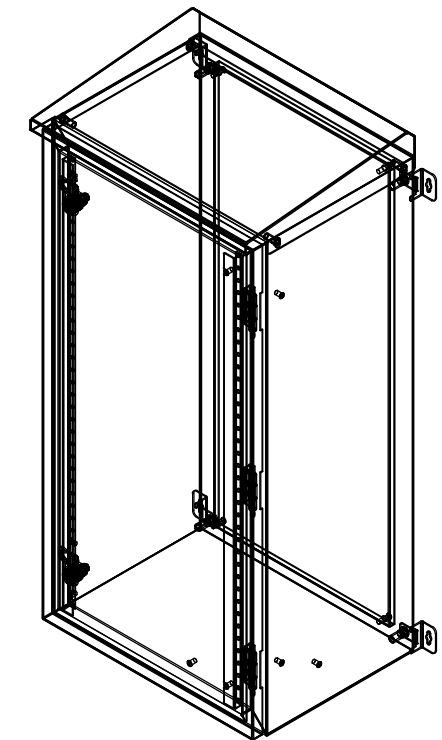
FRONT VIEW



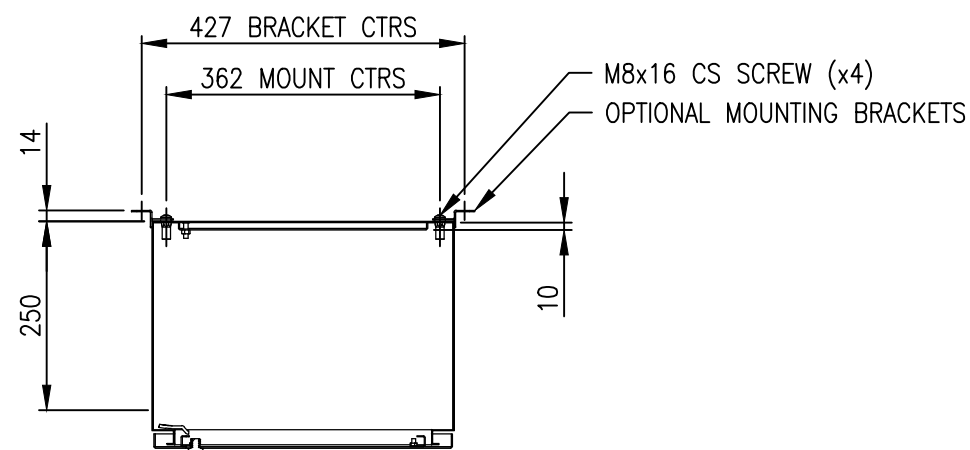
SECTION AY-AY



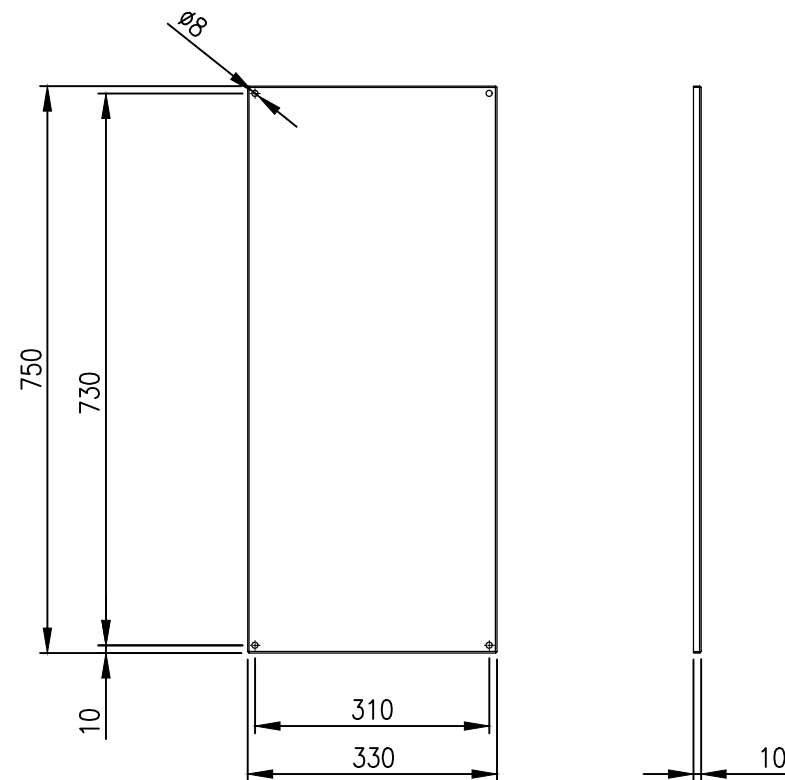
INSIDE DOOR VIEW



SHOWN WITH RAINHOOD FITTED.
RAINHOOD IS AN OPTIONAL ACCESSORY.



SECTION AW-AW



DEVICE MOUNTING PLATE

MATERIAL

BODY: 1.5mm 304 STAINLESS STEEL
DOOR: 1.5mm 304 STAINLESS STEEL
DEVICE PLATE: 1.5mm GALV STEEL
SEAL: POLYURETHANE

MASS: 30.0kg

PROTECTION: IP66 IK10, NEMA4x
STANDARD: IEC62208, IEC/EN/AS60529

© IP ENCLOSURES 2022.
THIS DRAWING SHALL NOT BE COPIED OR REPRODUCED
WITHOUT AUTHORISATION FROM IP ENCLOSURES.
www.ipenclosures.com.au

Itemref	Quantity	Title/Name, designation, material, dimension etc	Article No./Reference
IP	1	800x400x300 304SS ENCLOSURE	IP-304-804030
Designed by	Checked by	Approved by - date	Filename
IP	IP	28/09/22	IP-304-804030
Date	Scale	Edition	
28/09/22	1:10	0	
Sheet		Sheet	
1/1		1/1	