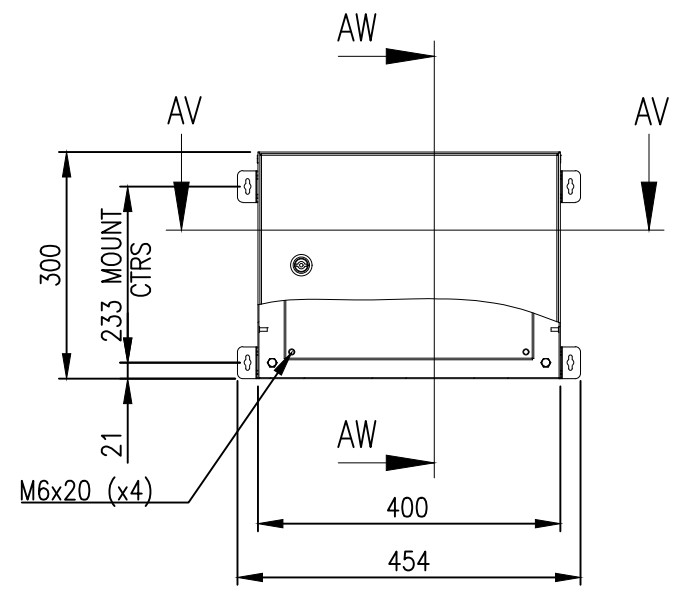
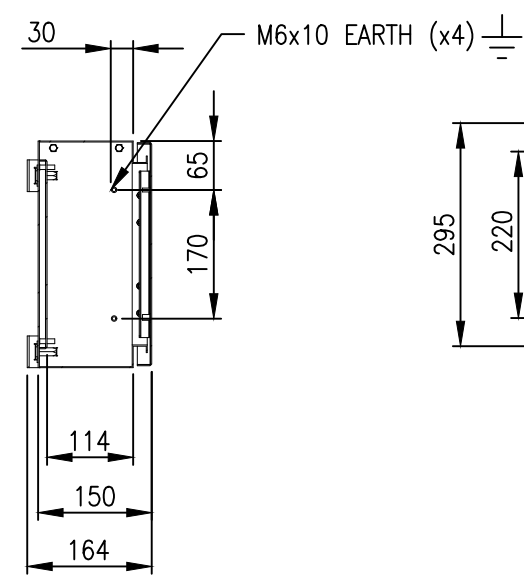


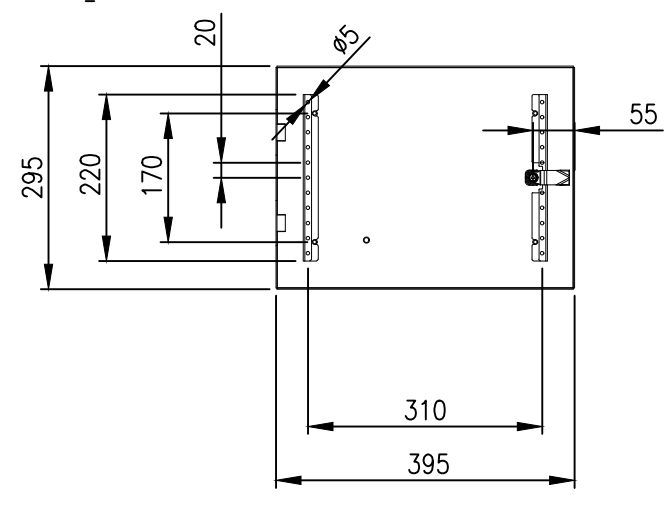
RevNo	Revision note	Date	Signature	Checked
0	GENERAL REVISION		IP	IP



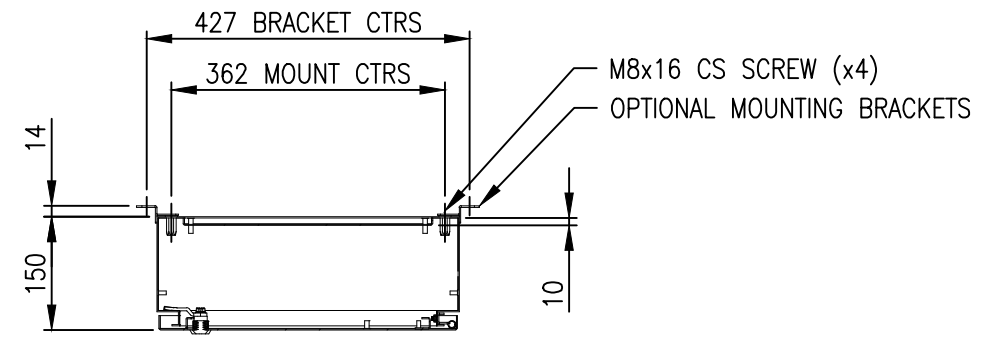
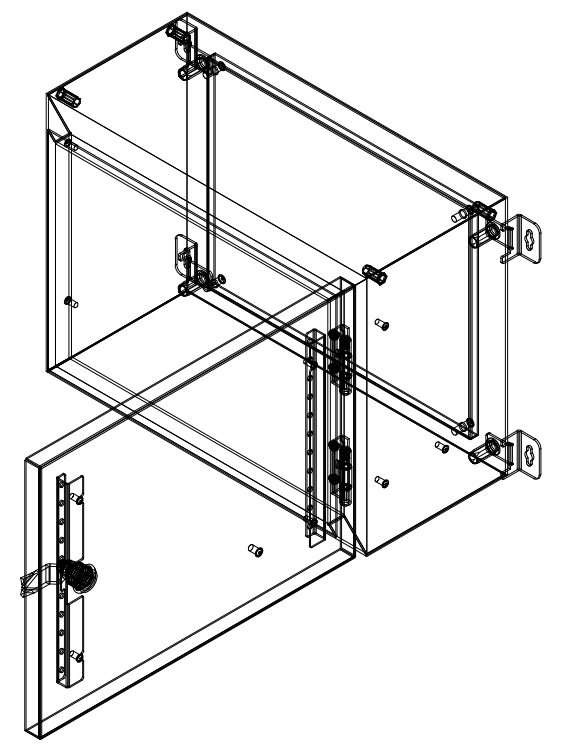
FRONT VIEW



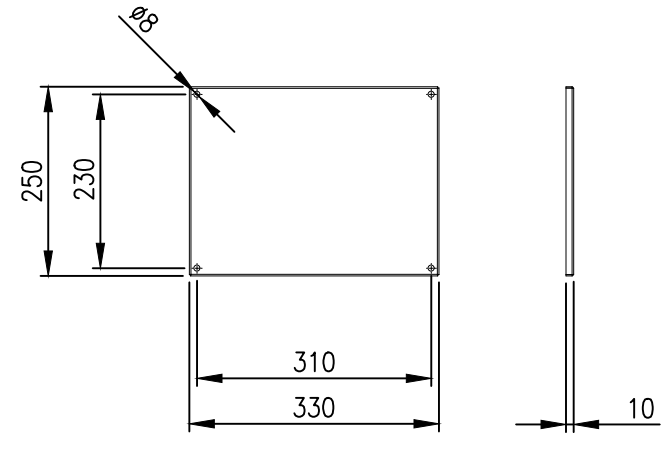
SECTION AW-AW



INSIDE DOOR VIEW



SECTION AV-AV



DEVICE MOUNTING PLATE

MATERIAL
 BODY: 1.5mm 304 STAINLESS STEEL
 DOOR: 1.5mm 304 STAINLESS STEEL
 DEVICE PLATE: 1.5mm GALV STEEL
 SEAL: POLYURETHANE

MASS: 8.5kg

PROTECTION: IP66 IK10, NEMA4x
STANDARD: IEC62208, IEC/EN/AS60529

© IP ENCLOSURES 2022.
 THIS DRAWING SHALL NOT BE COPIED OR REPRODUCED
 WITHOUT AUTHORISATION FROM IP ENCLOSURES.
 www.ipenclosures.com.au

Itemref	Quantity	Title/Name, designation, material, dimension etc	Article No./Reference
IP	1	300Hx400Wx150D 304SS ENCLOSURE	IP-304-L304015
Designed by	Checked by	Approved by - date	Filename
IP	IP	28/09/22	IP-304-L304015
Date	Scale	Edition	
28/09/22	1:10	0	Sheet
IP Enclosures		300Hx400Wx150D 304SS ENCLOSURE	1/1
		IP-304-L304015	