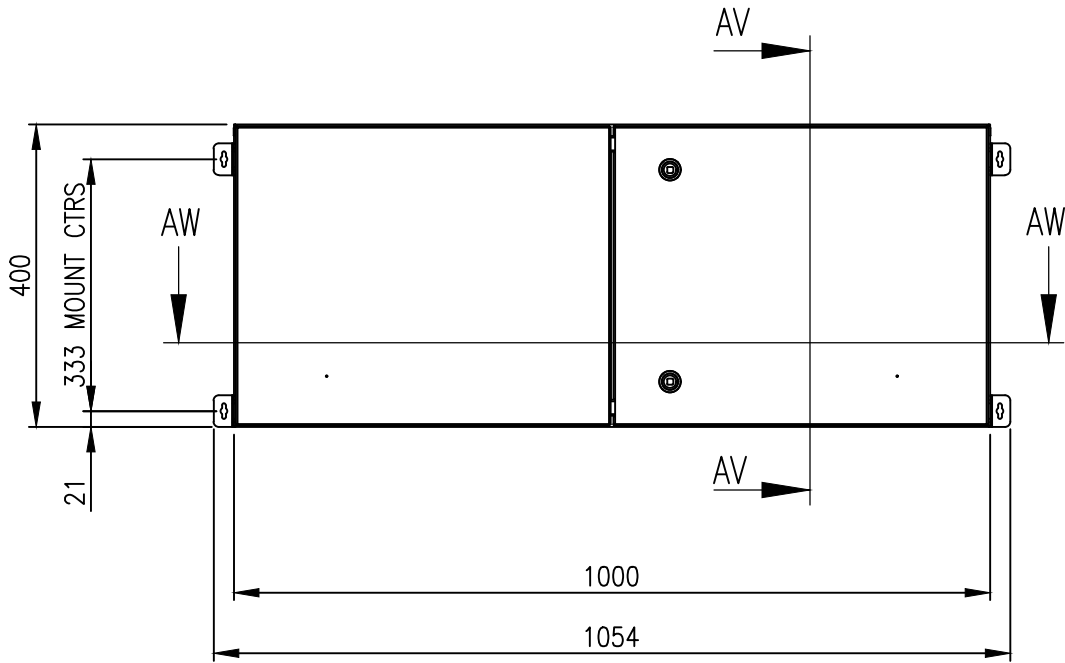
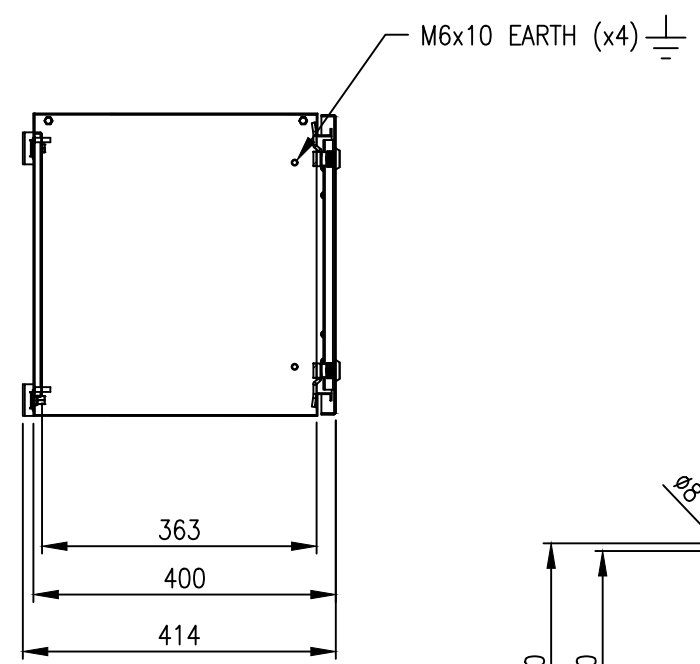


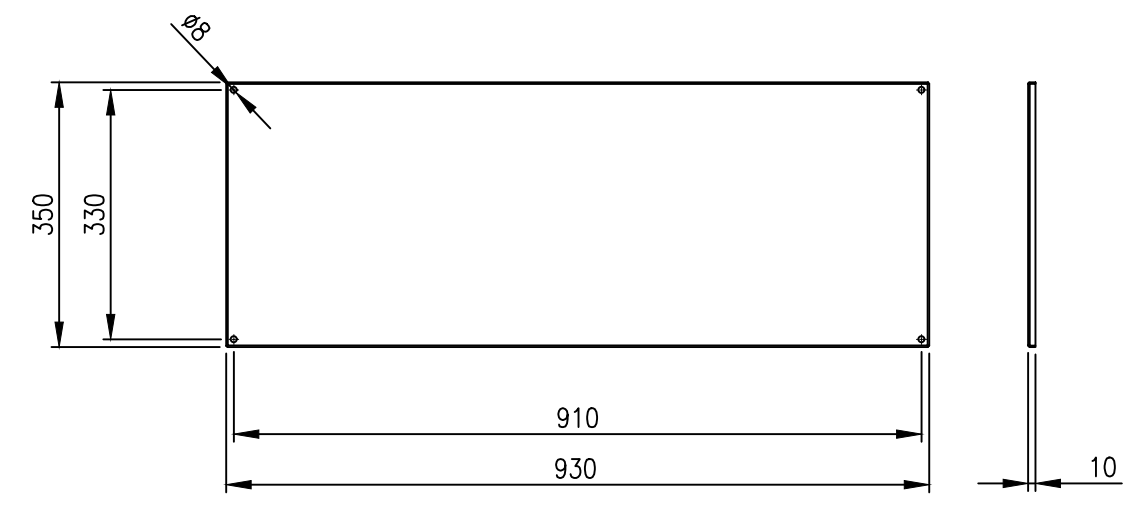
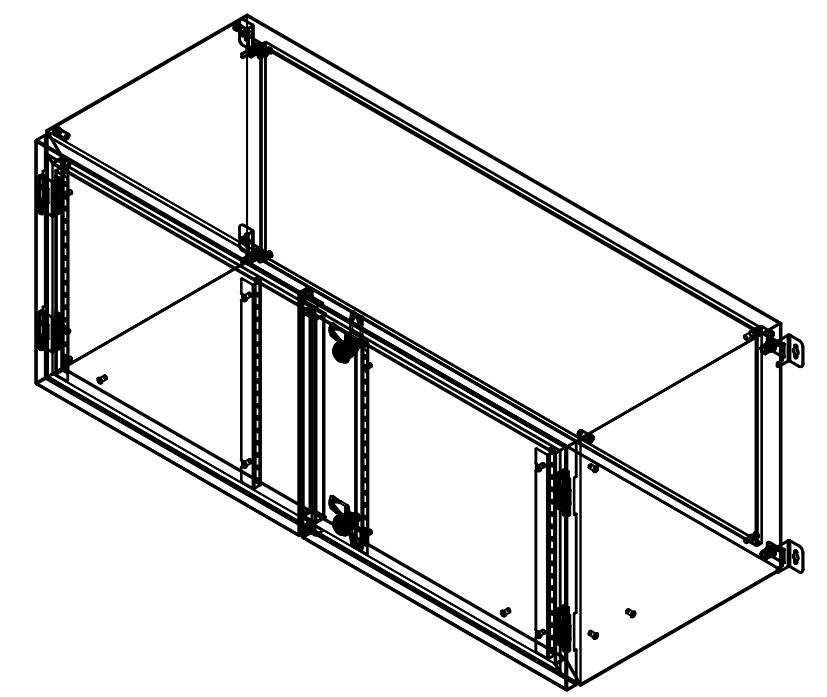
RevNo	Revision note	Date	Signature	Checked
0	GENERAL REVISION		IP	IP



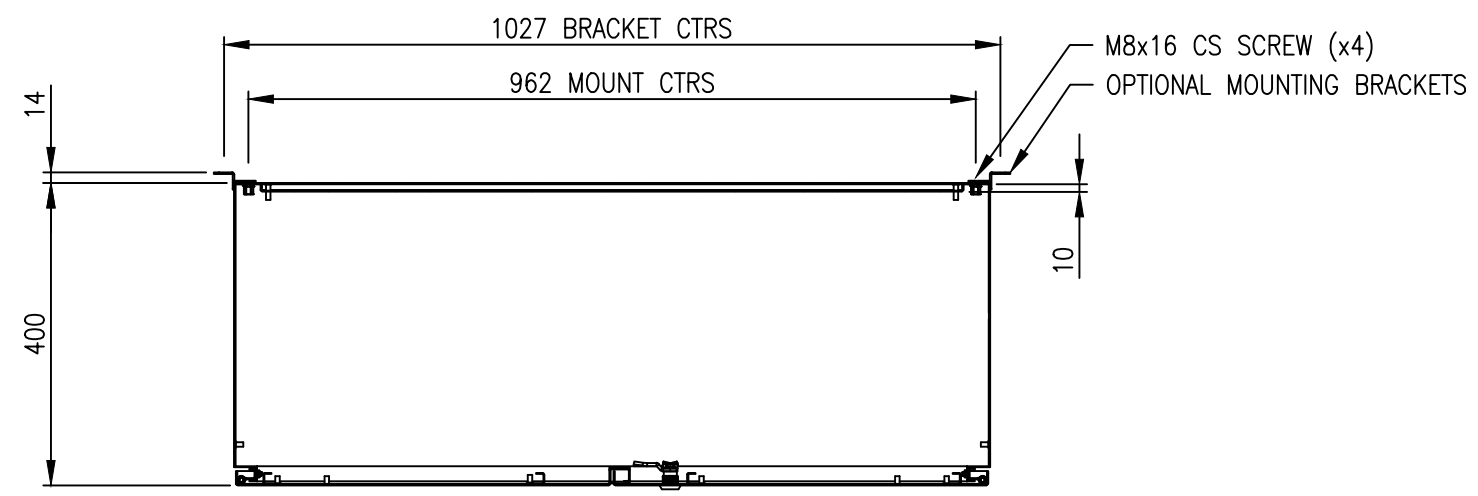
FRONT VIEW



SECTION AV-AV



DEVICE MOUNTING PLATE



SECTION AW-AW

**MATERIAL**  
 BODY: 1.5mm 304 STAINLESS STEEL  
 DOOR: 1.5mm 304 STAINLESS STEEL  
 DEVICE PLATE: 1.5mm GALV STEEL  
 SEAL: POLYURETHANE

**PROTECTION:** IP55 IK10, NEMA4x  
**STANDARD:** IEC62208, IEC/EN/AS60529

© IP ENCLOSURES 2022.  
 THIS DRAWING SHALL NOT BE COPIED OR REPRODUCED  
 WITHOUT AUTHORISATION FROM IP ENCLOSURES.  
 www.ipenclosures.com.au

Itemref	Quantity	Title/Name, designation, material, dimension etc	Article No./Reference
IP	1	400x1000x400 304SS ENCLOSURE	IP-304-L4010040
Designed by	Checked by	Approved by - date	Filename Date Scale
IP	IP	28/09/22	IP-304-L4010040 28/09/22 1:10
Edition			Sheet
0			1/1