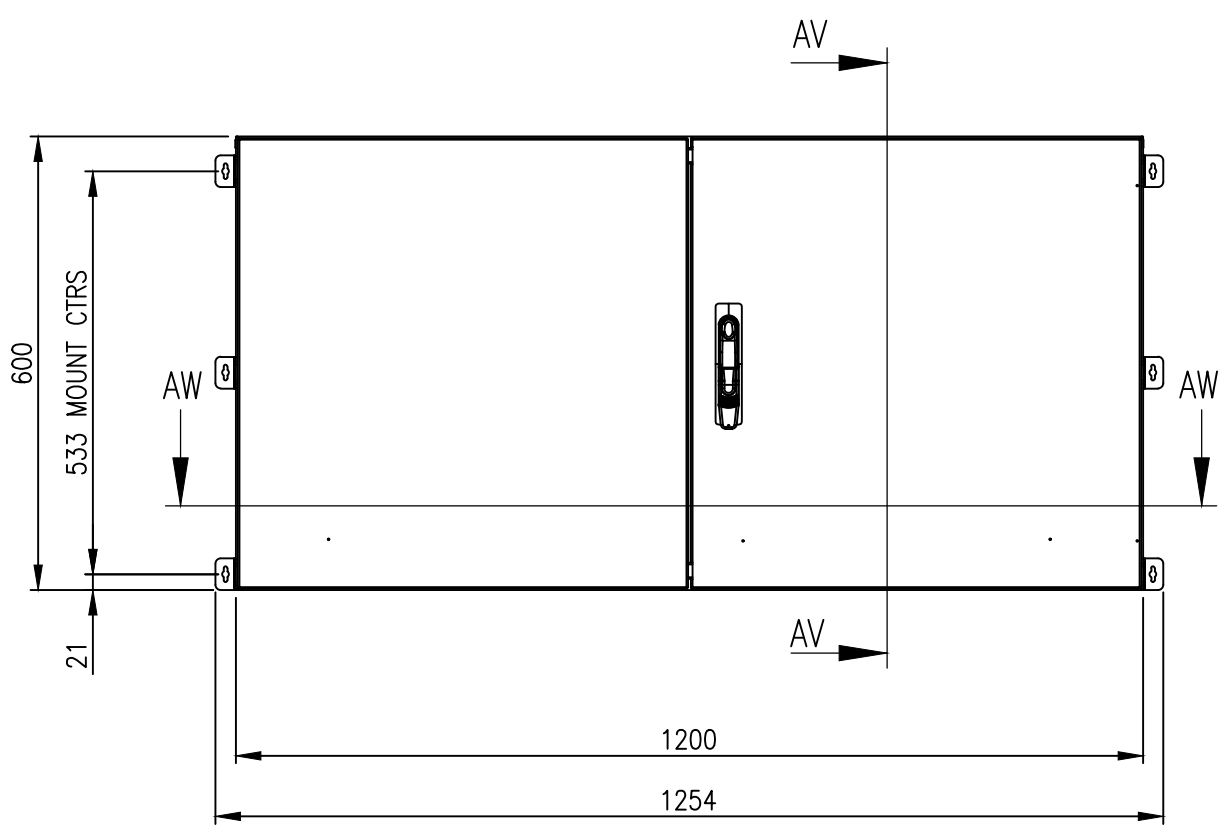
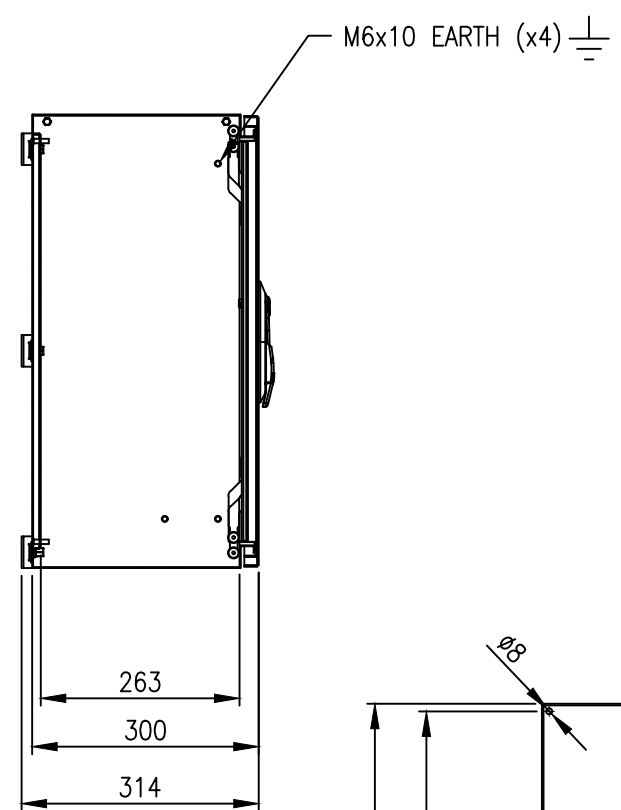


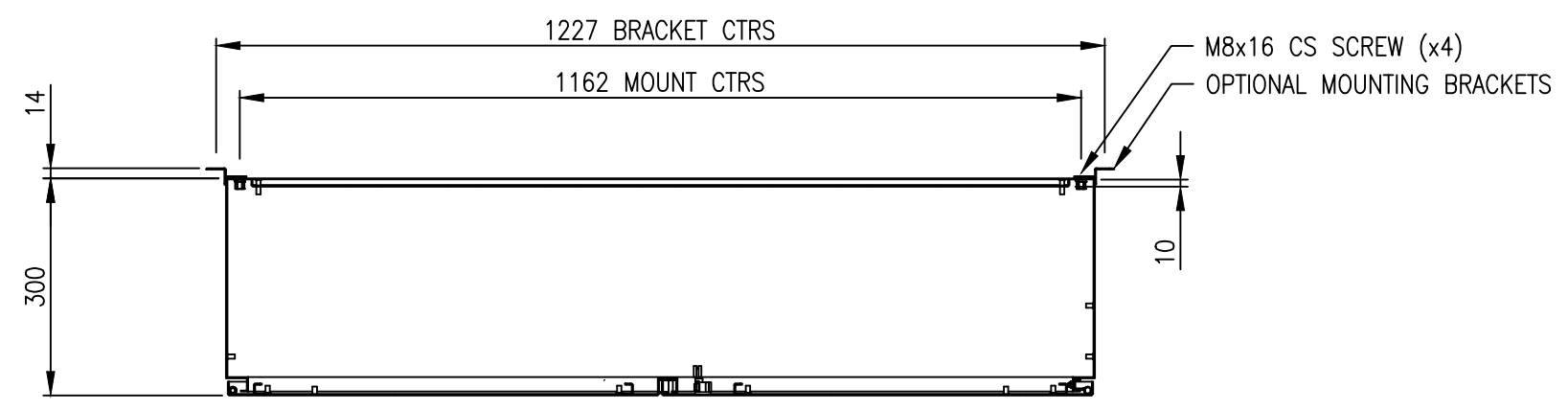
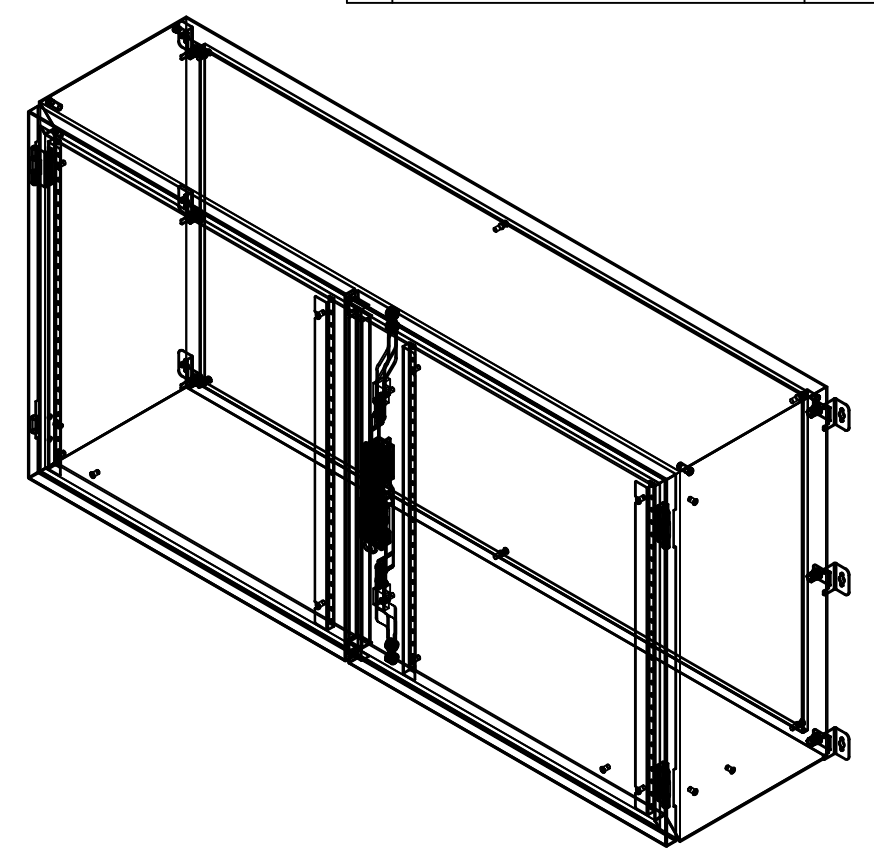
RevNo	Revision note	Date	Signature	Checked
0	GENERAL REVISION		IP	IP



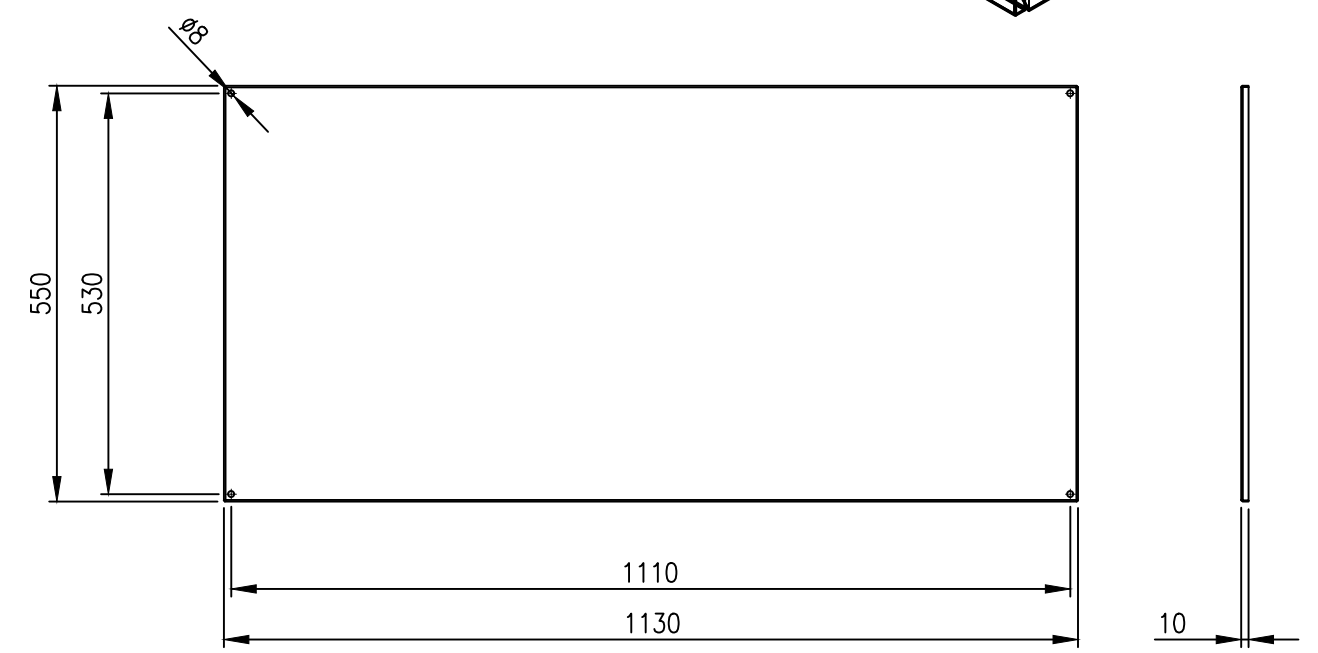
FRONT VIEW



SECTION AV-AV



SECTION AW-AW



DEVICE MOUNTING PLATE

MATERIAL
 BODY: 1.5mm 304 STAINLESS STEEL
 DOOR: 1.5mm 304 STAINLESS STEEL
 DEVICE PLATE: 1.5mm GALV STEEL
 SEAL: POLYURETHANE

PROTECTION: IP55 IK10, NEMA4x
STANDARD: IEC62208, IEC/EN/AS60529

© IP ENCLOSURES 2022.
 THIS DRAWING SHALL NOT BE COPIED OR REPRODUCED
 WITHOUT AUTHORISATION FROM IP ENCLOSURES.
 www.ipenclosures.com.au

Itemref	Quantity	Title/Name, designation, material, dimension etc	Article No./Reference
Designed by	Checked by	Approved by - date	Filename
IP	IP	28/09/22	IP-304-L6012030
Date			Scale
28/09/22			1:10
IP Enclosures		600x1200x300 304SS ENCLOSURE	
		IP-304-L6012030	Edition 0 Sheet 1/1