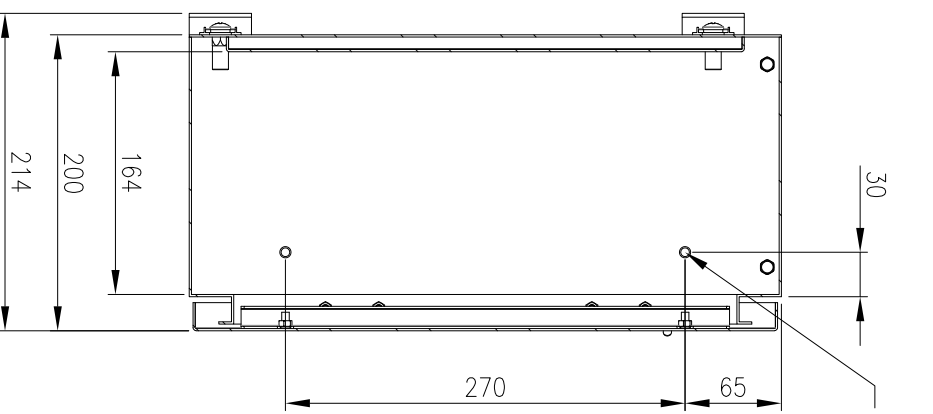
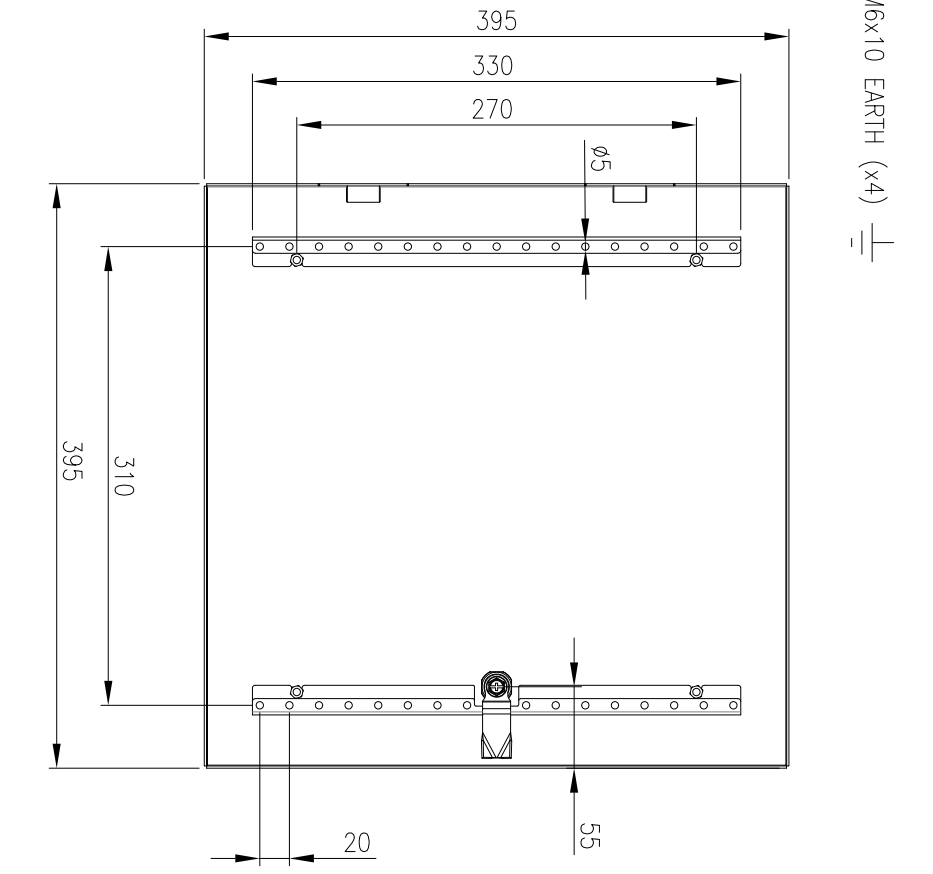


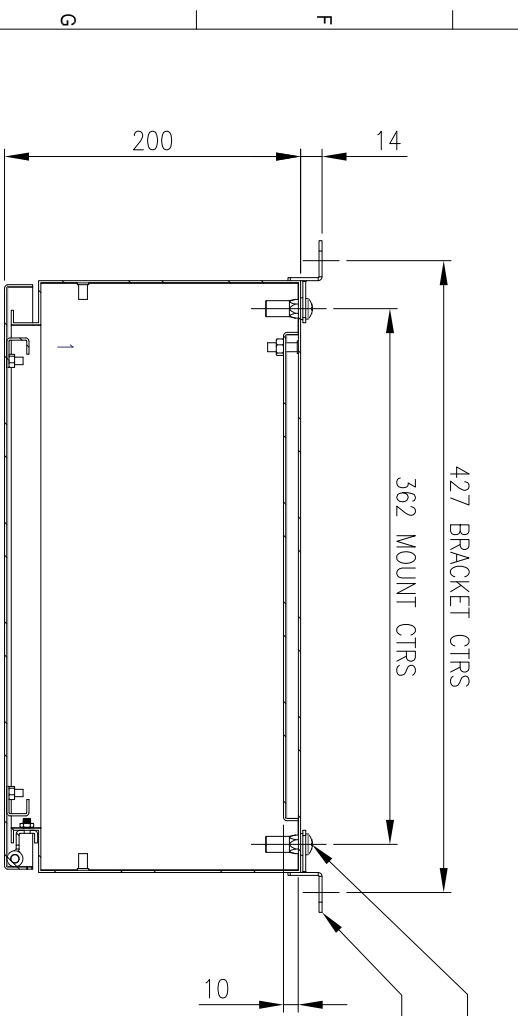
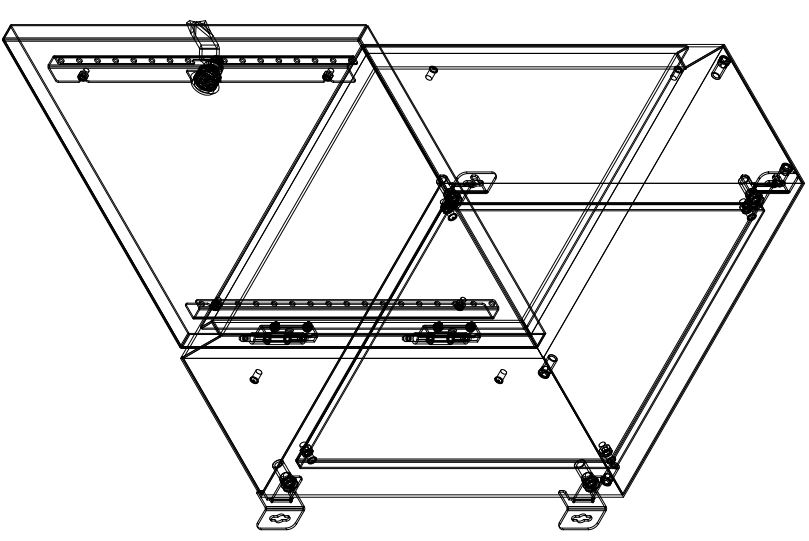
FRONT VIEW



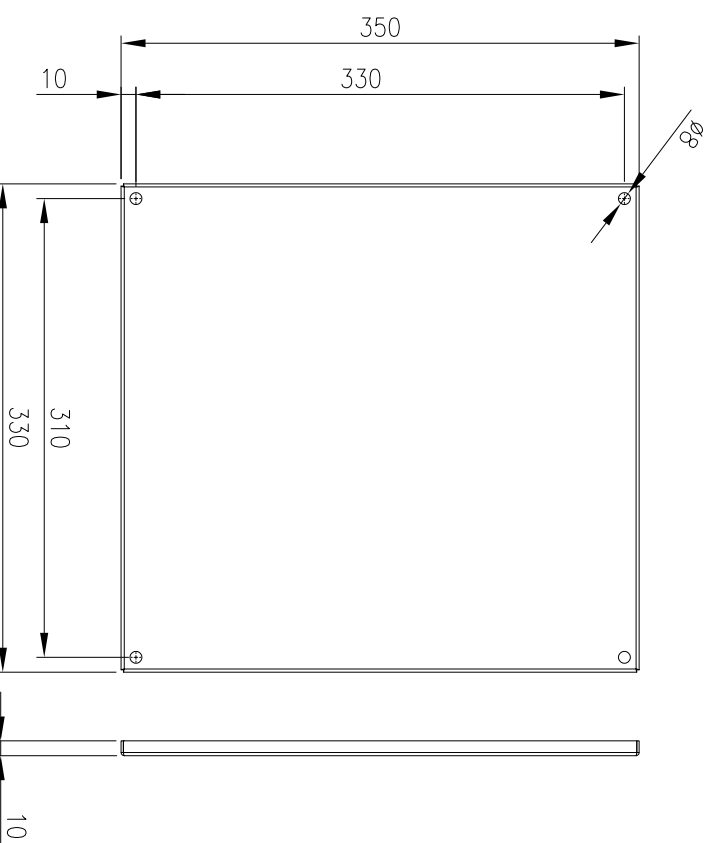
SECTION AV-AV



INSIDE DOOR VIEW



SECTION AW-AW



DEVICE MOUNTING PLATE

MATERIAL
 BODY: MARINE GRADE ALUMINIUM
 DOOR: MARINE GRADE ALUMINIUM
 DEVICE PLATE: 1.5mm GALV STEEL
 SEAL: POLYURETHANE
 PROTECTION: IP66
 STANDARD: IEC62208, IEC/EN/AS60529

© IP ENCLOSURES 2016.
 THIS DRAWING SHALL NOT BE COPIED OR REPRODUCED
 WITHOUT AUTHORISATION FROM IP ENCLOSURES.
 www.ipenclosures.com.au

Item#	Quantity	Thickness, designation, material, dimension etc.	Article No./Reference	Scale
IP				1:5
Designed by		Approved by - date	Filename	Date
IP		05/07/21	IP-400x20-01	05/07/21
Checked by		400x400x200 ALUMINIUM ENCLOSURE	IP-A404020-01	0
Edition		Sheet	0	1/1

RevNo	Revision note	Date	Signature	Checked