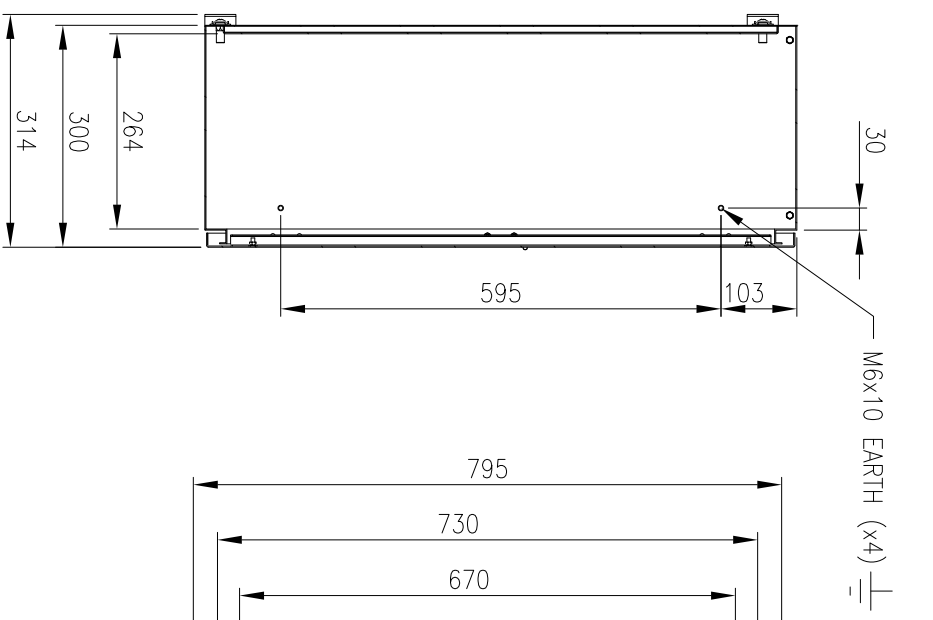
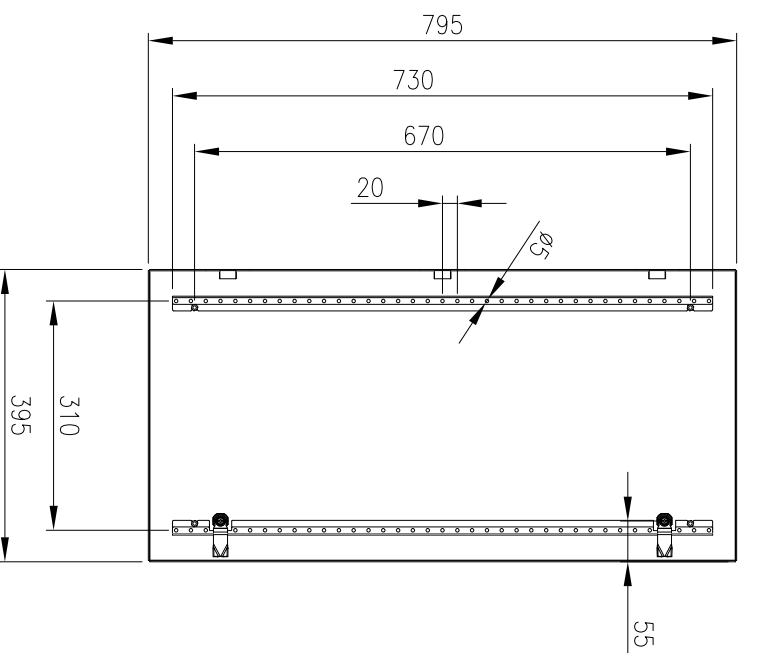


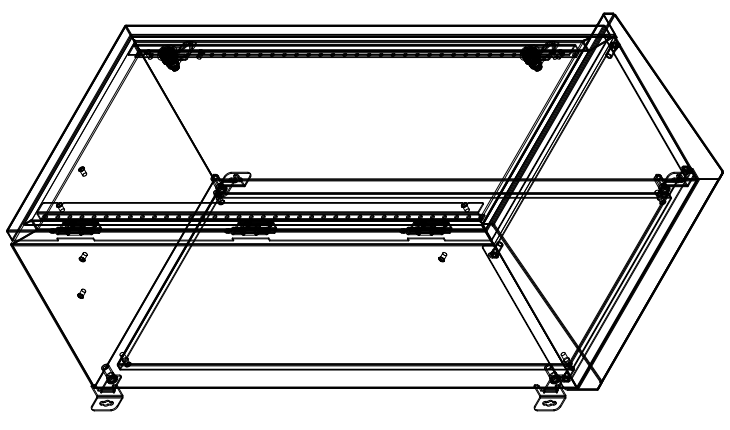
FRONT VIEW



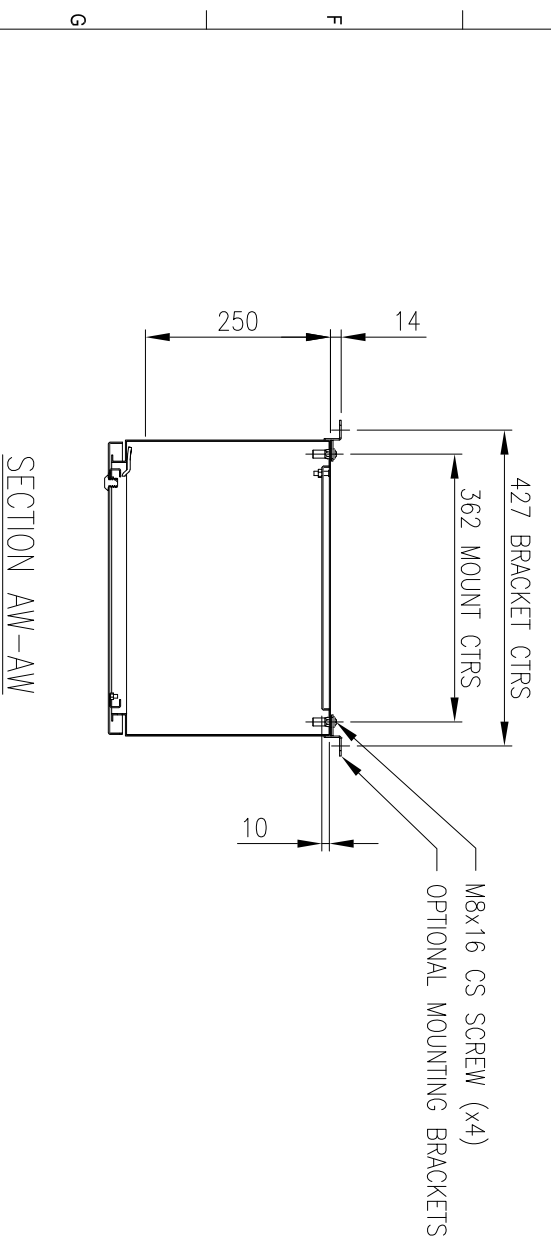
SECTION AY-AY



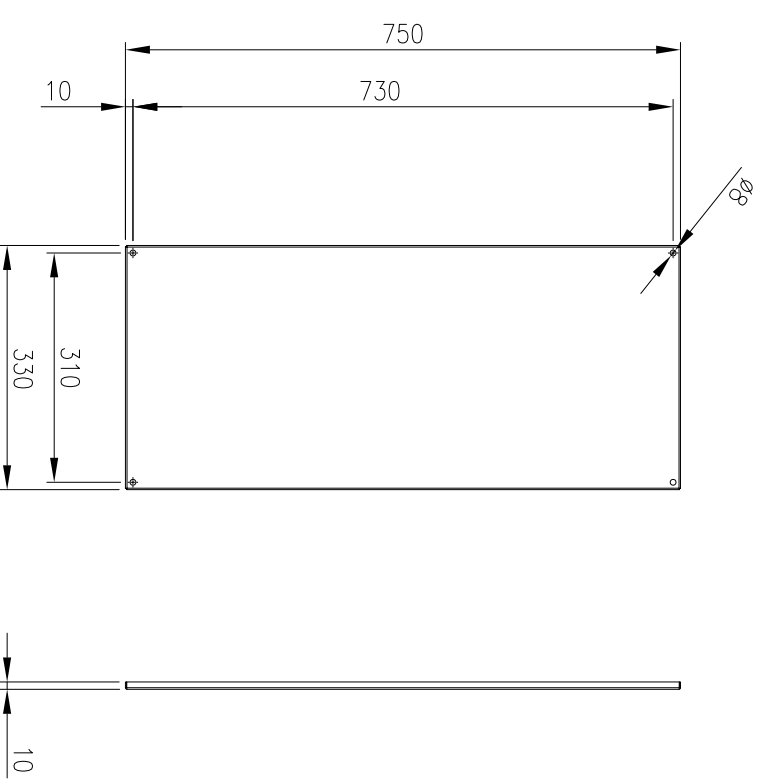
INSIDE DOOR VIEW



SHOWN WITH RAINHOOD FITTED.
RAINHOOD IS AN OPTIONAL ACCESSORY.



SECTION AW-AW



DEVICE MOUNTING PLATE

MATERIAL
 BODY: MARINE GRADE ALUMINIUM
 DOOR: MARINE GRADE ALUMINIUM
 DEVICE PLATE: 1.5mm GALV STEEL
 SEAL: POLYURETHANE
 PROTECTION: IP66 IK10, NEMA4x
 STANDARD: IEC62208, IEC/EN/AS60529

© IP ENCLOSURES 2016.
 THIS DRAWING SHALL NOT BE COPIED OR REPRODUCED
 WITHOUT AUTHORISATION FROM IP ENCLOSURES.
 www.ipenclosures.com.au

Item	Quantity	TradeName, designation, material, dimension etc.	Article No/Reference	Scale
IP Enclosures				1:10
Designed by	Checked by	Approved by - date	Filename	Date
IP	IP	05/07/21	IP-A804030-01	05/07/21
800x400x300 ALUMINIUM ENCLOSURE				1:10
IP-A804030-01				0
				1/1