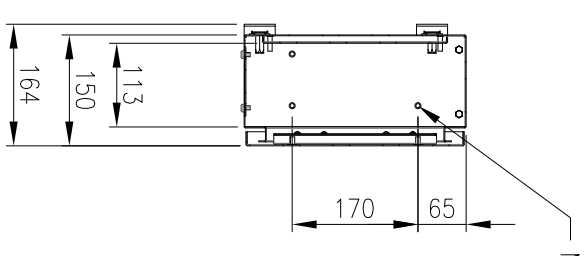
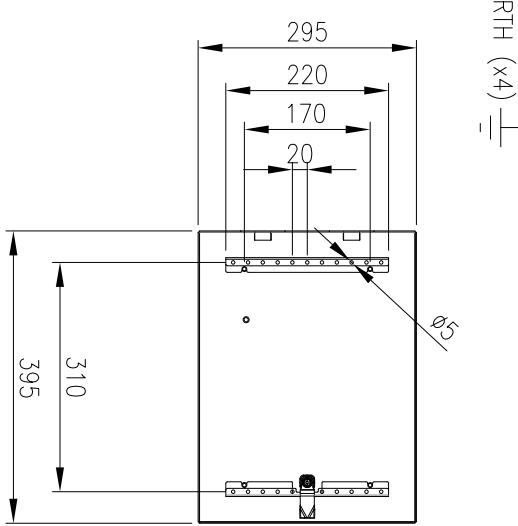


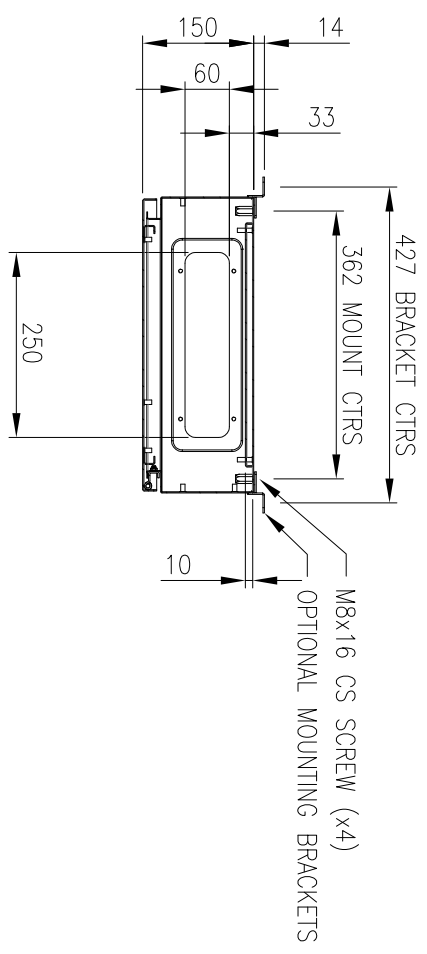
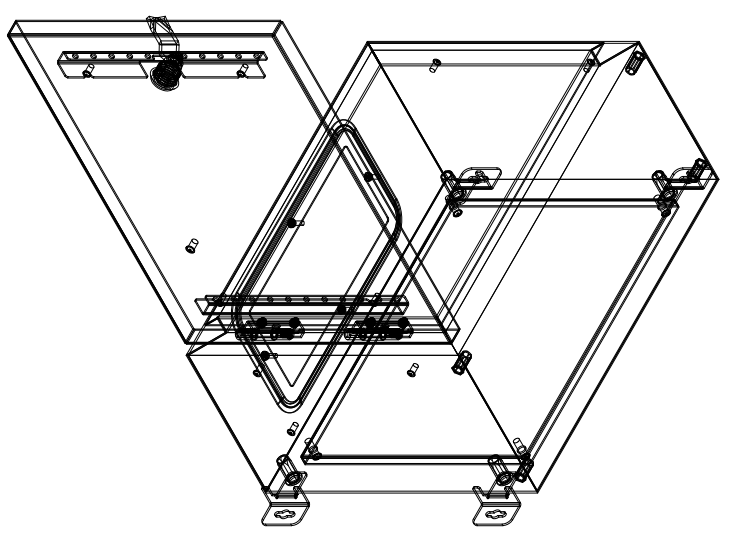
FRONT VIEW



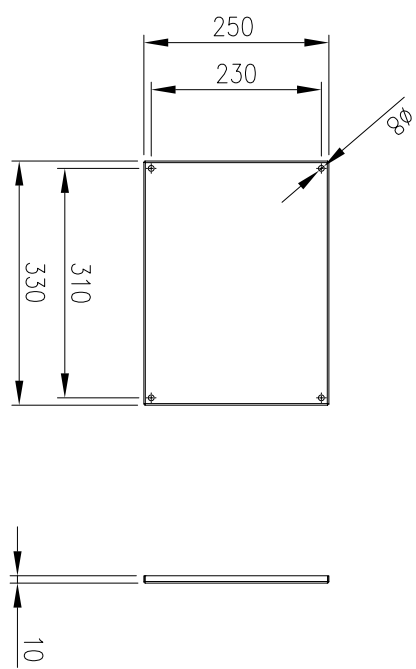
SECTION AW-AW



INSIDE DOOR VIEW



SECTION AV-AV



DEVICE MOUNTING PLATE

MATERIAL
 BODY: 1.2mm GALVANISED STEEL SHEET
 DOOR: 1.5mm GALVANISED STEEL SHEET
 DEVICE PLATE: 1.5mm GALVANISED STEEL SHEET
 SEAL: POLYURETHANE
 SURFACE TREATMENT: POWDER-COAT 80-120micron

MASS: 9.0kg
 PROTECTION: IP66 IK10, NEMA4
 STANDARD: IEC62208, IEC/EN/AS60529

© IP ENCLOSURES 2016.
 THIS DRAWING SHALL NOT BE COPIED OR REPRODUCED
 WITHOUT AUTHORISATION FROM IP ENCLOSURES.
 www.ipenclosures.com.au

Item#	Quantity	Part/Name, designation, material, dimension etc.	Article No./Reference
IP		300HX400WX150D STEEL ENCLOSURE	
IP		IP-L304015-01	

