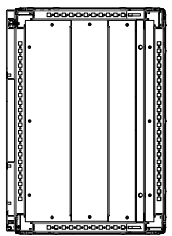
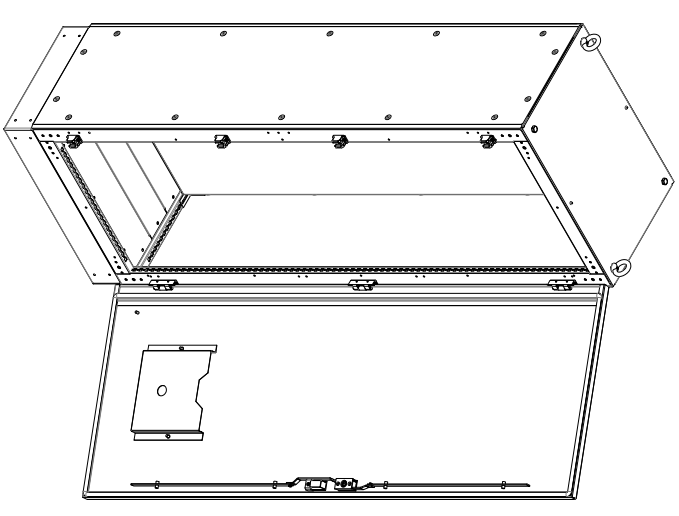
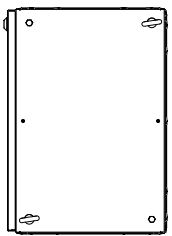


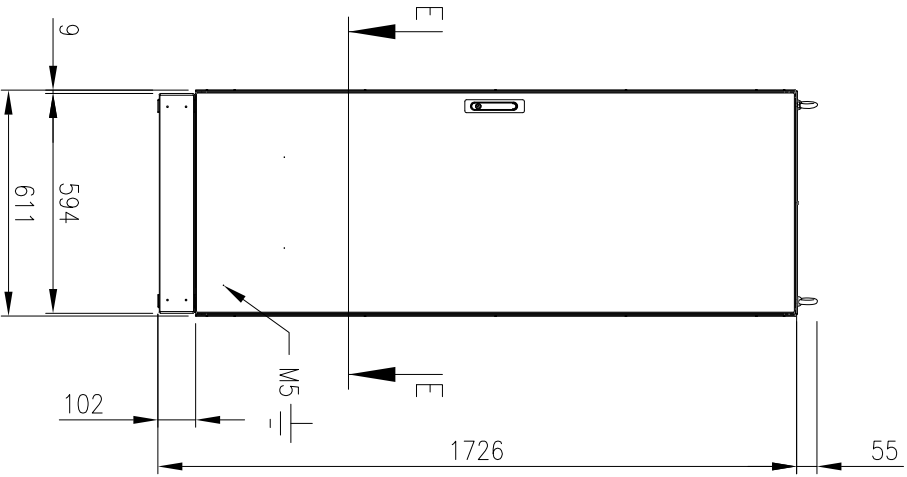
RevNo	Revision note	Date	Signature	Checked
1	GENERAL REVISION	9/7/19	IP	IP



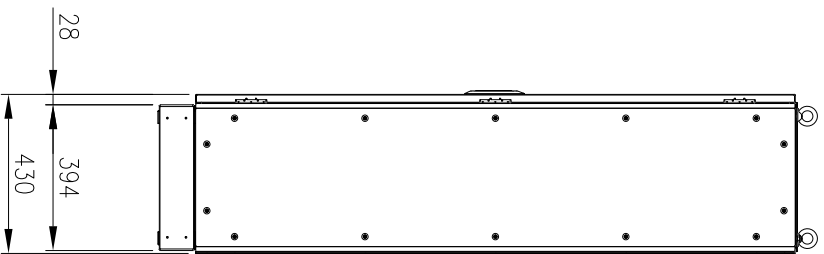
SECTION E-E



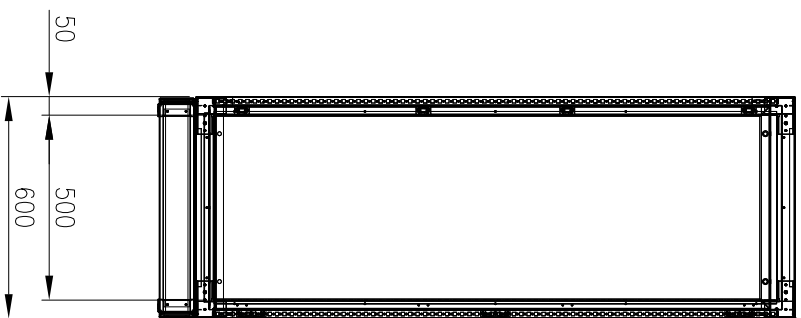
TOP VIEW



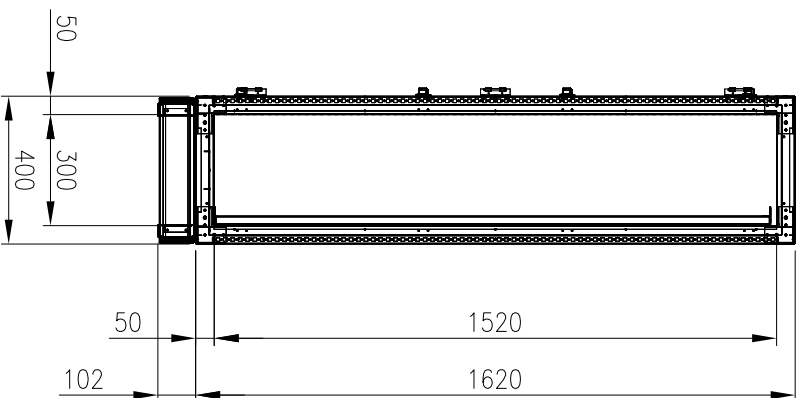
FRONT VIEW  
(ASSEMBLY)



SIDE VIEW



FRONT VIEW  
(PANELS REMOVED)



SIDE VIEW  
(PANELS REMOVED)



DEVICE MOUNTING PLATE

- MATERIAL**
- MAIN FRAME: 2.0mm 316 STAINLESS STEEL PROFILE
  - PANELS: 1.2mm 316 STAINLESS STEEL
  - DOOR: 2.0mm 316 STAINLESS STEEL
  - MOUNTING PLATE: 2.0mm 316 STAINLESS STEEL
  - SEAL: EPDM
- PROTECTION:** IP55 IK10
- STANDARD:** IEC62208, IEC/EN/AS60529
- ORDERING INFORMATION:**
- ENCLOSURE: IP-MFSS1626040
  - SIDE PANEL: IP-MFSSP16240
  - MOUNTING PLATE: IP-MFSSM16260
  - BASE: IP-MFSSB6040

© IP ENCLOSURES 2017.  
THIS DRAWING SHALL NOT BE COPIED OR REPRODUCED  
WITHOUT AUTHORISATION FROM IP ENCLOSURES.  
[www.ipenclosures.com.au](http://www.ipenclosures.com.au)

Item#	Quantity	Part/Name, designation, material, dimension etc.	Article No./Reference	Scale		
IP		Checked by	Approved by - date	Filename	Date	Sheet
		IP	22/11/17	1620x600x400 316SS FREESTANDING	22/11/17	1
				IP-MFSS1626040		1/1

**IP Enclosures**

