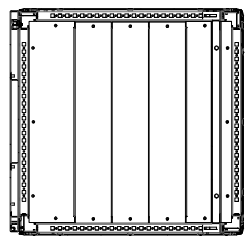
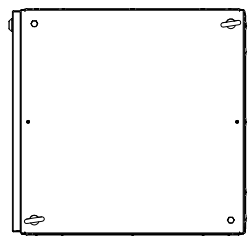


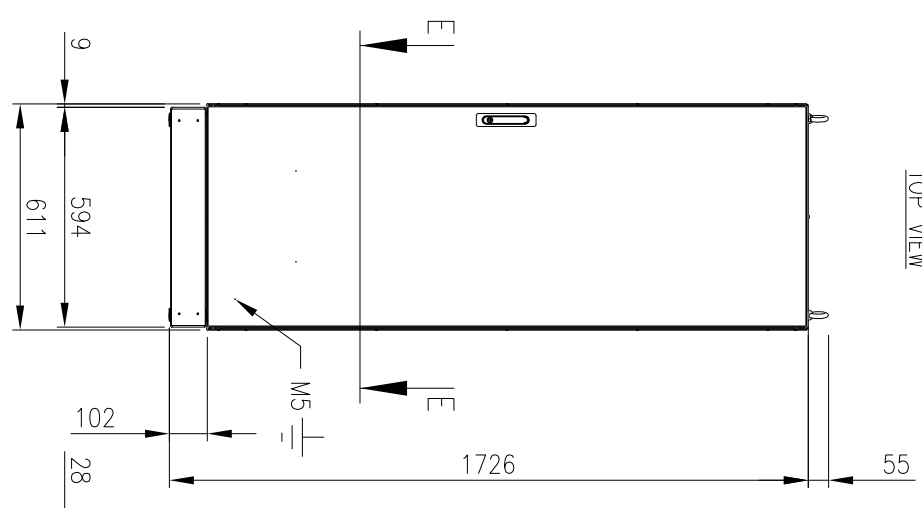
RevNo	Revision note	Date	Signature	Checked
1	GENERAL REVISION	9/7/19	IP	IP



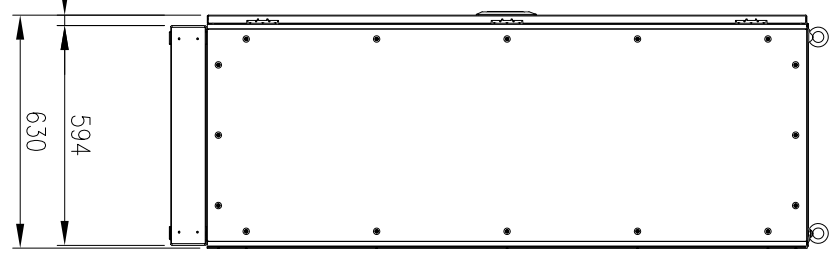
SECTION E-E



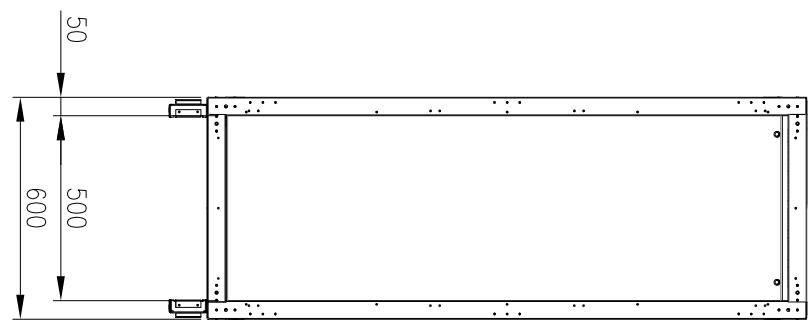
TOP VIEW



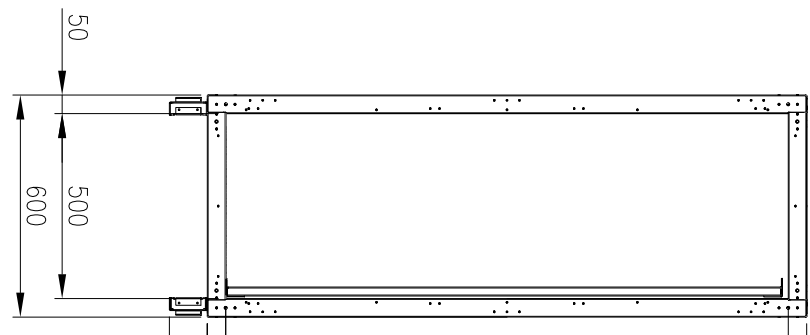
FRONT VIEW
(ASSEMBLY)



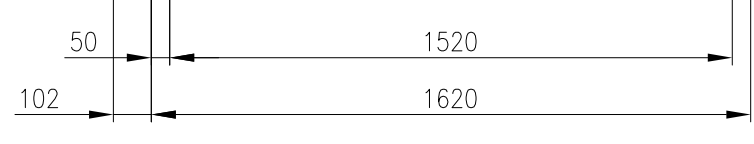
SIDE VIEW



FRONT VIEW
(PANELS REMOVED)



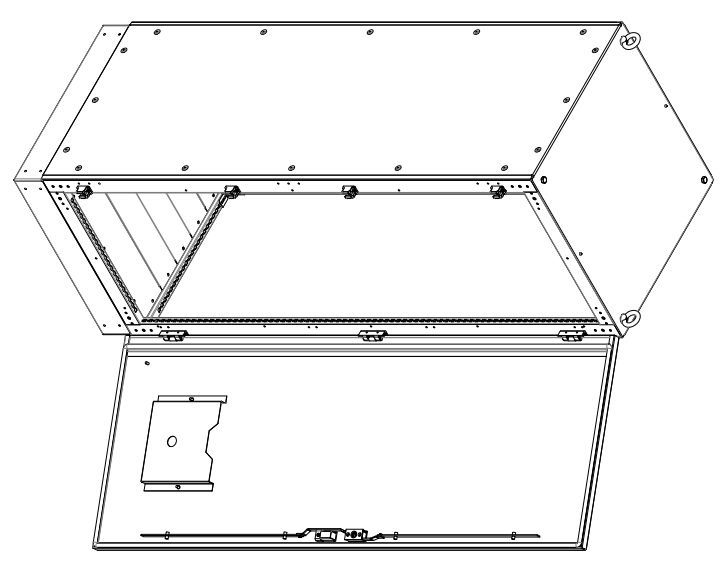
SIDE VIEW
(PANELS REMOVED)



FRONT VIEW
(PANELS REMOVED)



SIDE VIEW
(PANELS REMOVED)



MATERIAL

- MAIN FRAME: 2.0mm 316 STAINLESS STEEL PROFILE
- PANELS: 1.2mm 316 STAINLESS STEEL
- DOOR: 2.0mm 316 STAINLESS STEEL
- MOUNTING PLATE: 2.0mm 316 STAINLESS STEEL
- SEAL: EPDM
- PROTECTION: IP55 IK10
- STANDARD: IEC62208, IEC/EN/AS60529
- ORDERING INFORMATION:
- ENCLOSURE: IP-MFSS1626060
- SIDE PANEL: IP-MFSSP16260
- MOUNTING PLATE: IP-MFSSM16260
- BASE: IP-MFSSB6060

© IP ENCLOSURES 2017.
THIS DRAWING SHALL NOT BE COPIED OR REPRODUCED
WITHOUT AUTHORISATION FROM IP ENCLOSURES.
www.ipenclosures.com.au

Item#	Quantity	TradeName, designation, material, dimension etc.	Article No./Reference	Scale
IP		Designed by	22/11/17	1:20
IP		Checked by	22/11/17	
		Approved by - date		
		Filename		
		Date		
		1620x600x600 316SS FREESTANDING		
		IP-MFSS1626060		
		Edition	1	
		Sheet	1/1	

