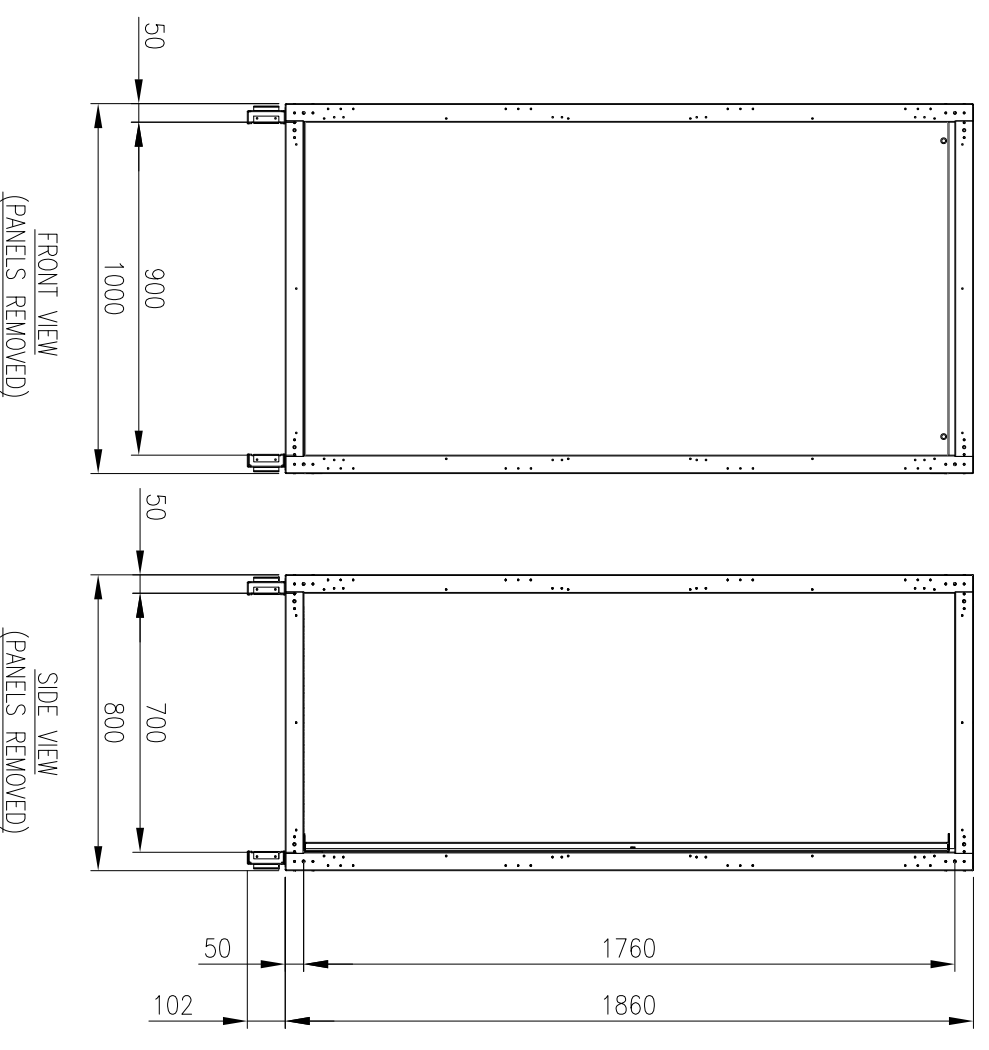
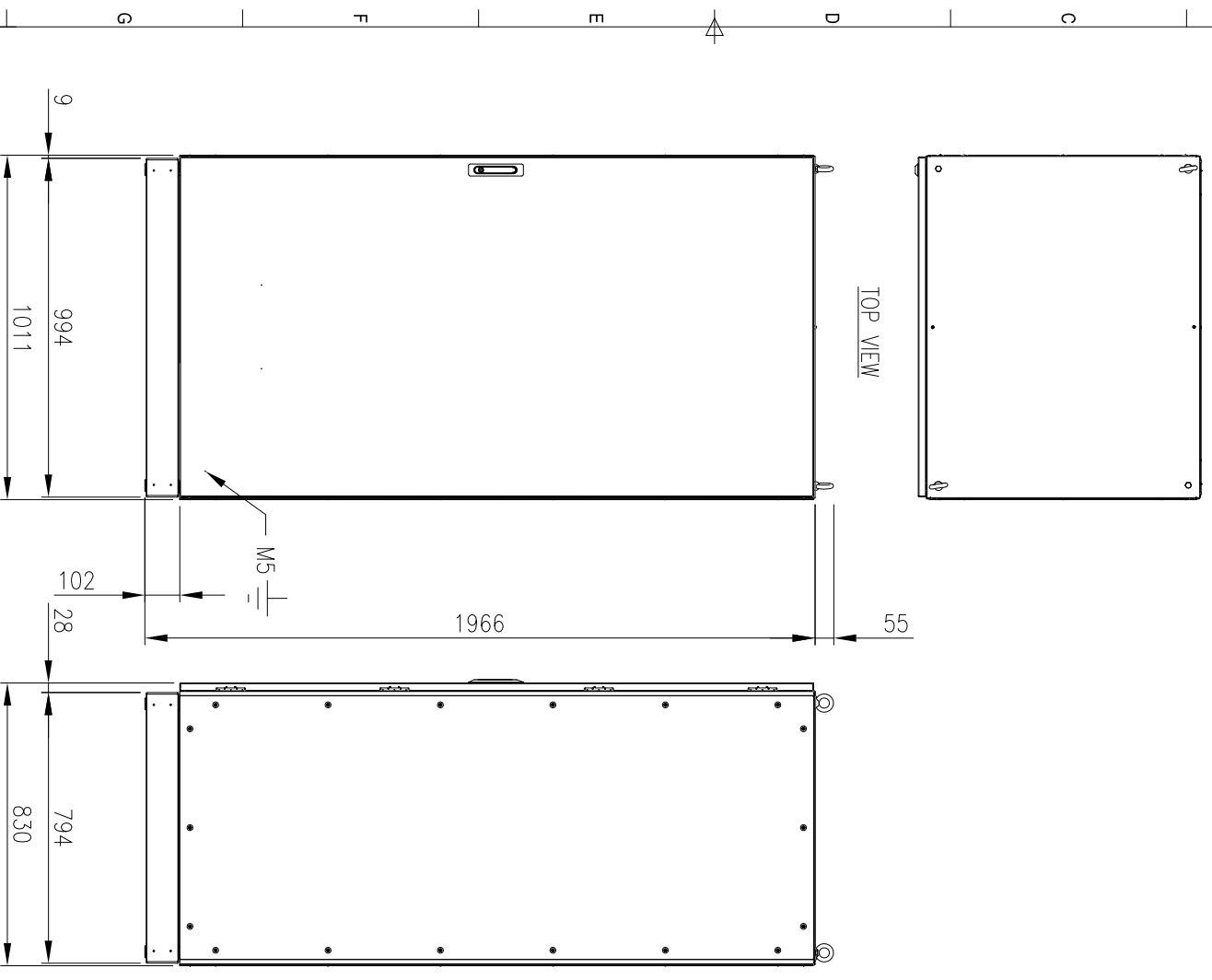
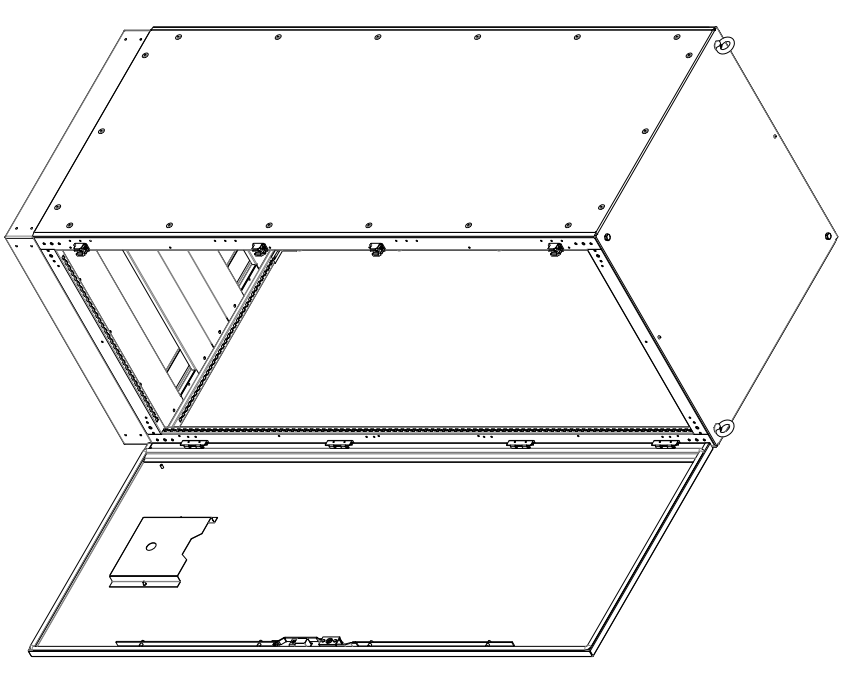


RevNo	Revision note	Date	Signature	Checked
1	GENERAL REVISION	9/7/19	IP	IP



MATERIAL

MAIN FRAME: 2.0mm GALVANISED STEEL PROFILE

PANELS: 1.2mm POWDERCOATED GALVANISED SHEET

DOOR: 2.0mm POWDERCOATED GALVANISED STEEL

MOUNTING PLATE: 2.0mm GALVANISED STEEL SHEET

SEAL: EPDM

SURFACE TREATMENT: POWDER-COAT 80-120micron

STANDARD COLOUR: RAL7035

PROTECTION: IP55 IK10

STANDARD: IEC62208, IEC/EN/AS60529

ORDERING INFORMATION:

- ENCLOSURE: IP-MFS18610080
- SIDE PANEL: IP-MFSP18680
- MOUNTING PLATE: IP-MFSM186100
- BASE: IP-MFSB10080

© IP ENCLOSURES 2017.
THIS DRAWING SHALL NOT BE COPIED OR REPRODUCED
WITHOUT AUTHORISATION FROM IP ENCLOSURES.
www.ipenclosures.com.au

Item#	Quantity	TradeName, designation, material, dimension etc.	Article No./Reference	Scale
IP				1:20
Designed by	Checked by	Approved by - date	Filename	Date
IP	IP	22/11/17		22/11/17
1860x1000x800 STEEL FREESTANDING				
IP-MFS18610080				1/1



1 2 3 4 5 6 7 8 9 10 11 12 13 14 15 16