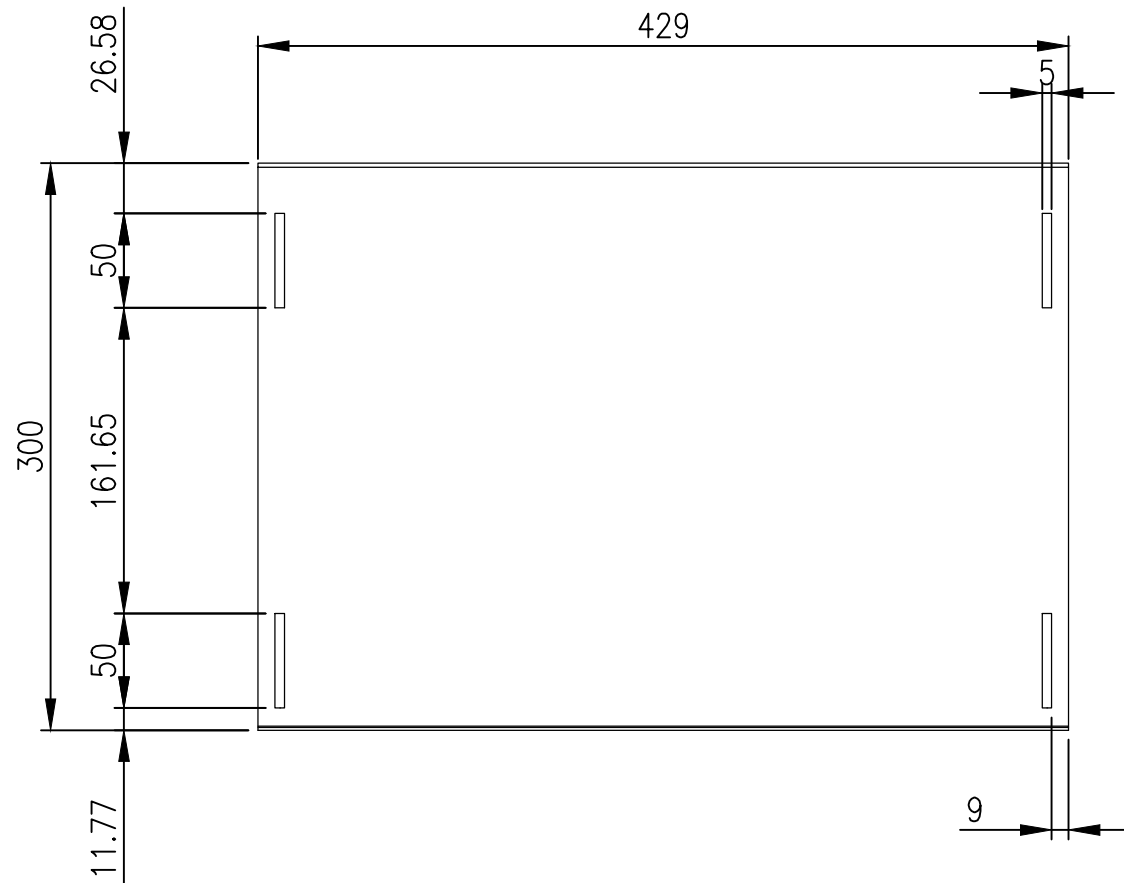
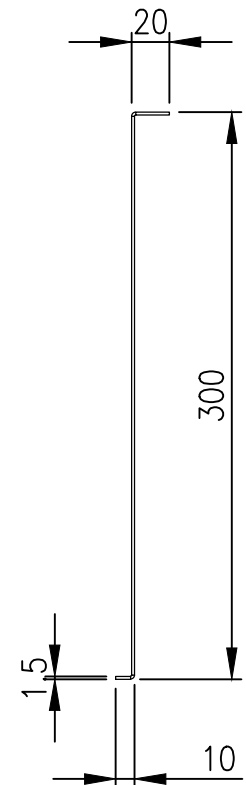


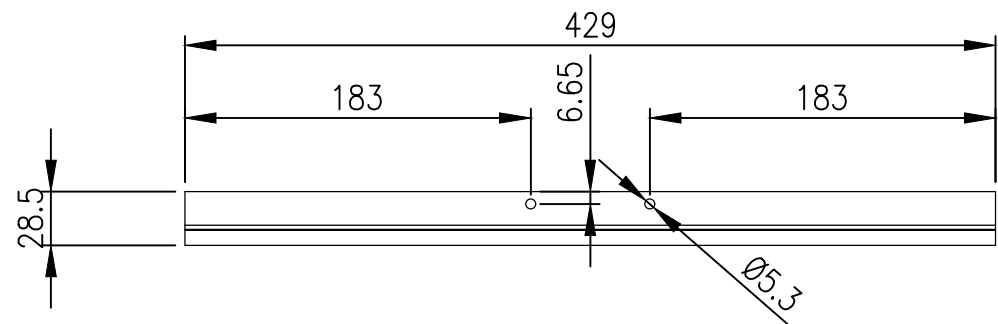
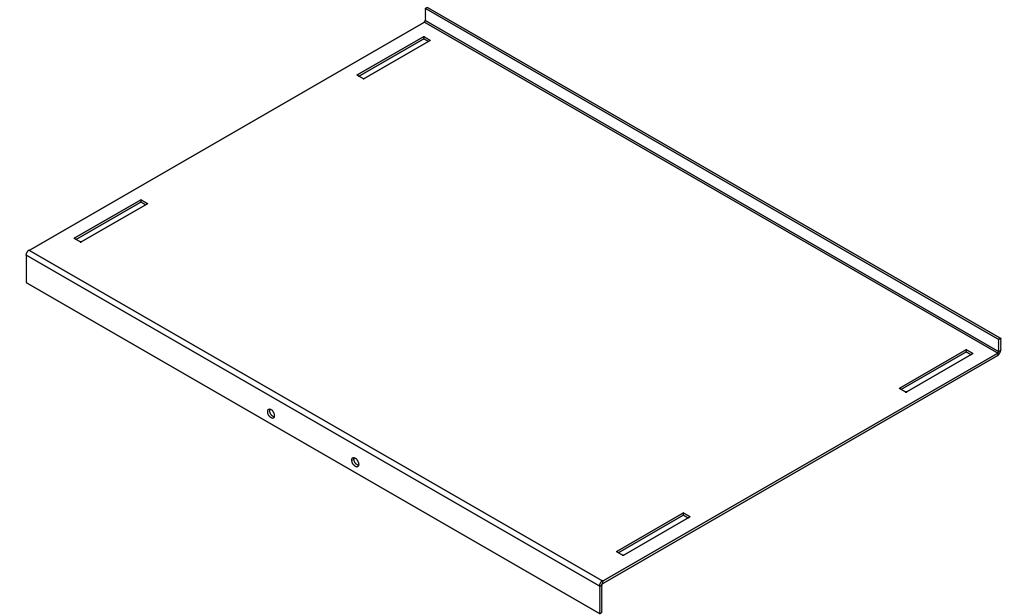
RevNo	Revision note	Date	Signature	Checked
1	GENERAL REVISION	31/05/24	IP	IP



TOP VIEW



SIDE VIEW



FRONT VIEW

MATERIAL

BODY: 1.5mm GALVANISED STEEL SHEET
 SURFACE TREATMENT: POWDER-COAT 80-120micron
 COLOUR: RAL 9005

SHELF RATING: 25 Kg.

STANDARD: COMPATIBLE WITH 19" RACKS
 EIA-310-D, RoHS

© IP ENCLOSURES 2023.
 THIS DRAWING SHALL NOT BE COPIED OR REPRODUCED
 WITHOUT AUTHORISATION FROM IP ENCLOSURES.
 www.ipenclosures.com.au

Itemref	Quantity	Title/Name, designation, material, dimension etc	Article No./Reference
Designed by IP	Checked by IP	Approved by - date 02/11/23	Filename IP-RCHF130
Date 02/11/23			Scale 1:4
Edition 1			Sheet 1/1



1RU 19" SLIDING SHELVES
 IP-RCHF130