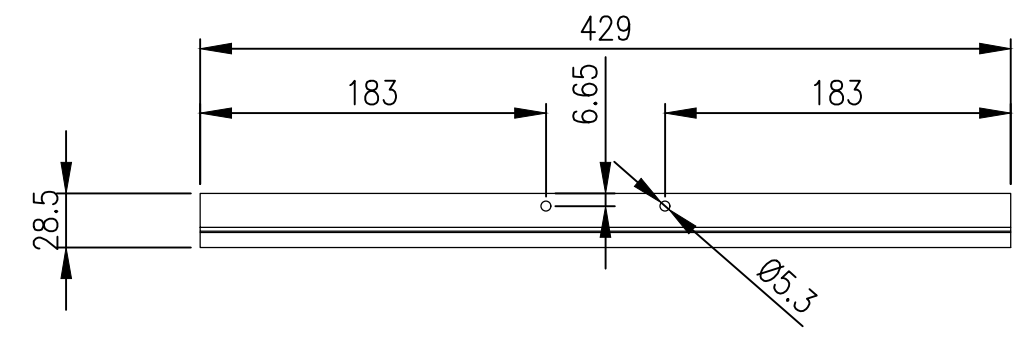
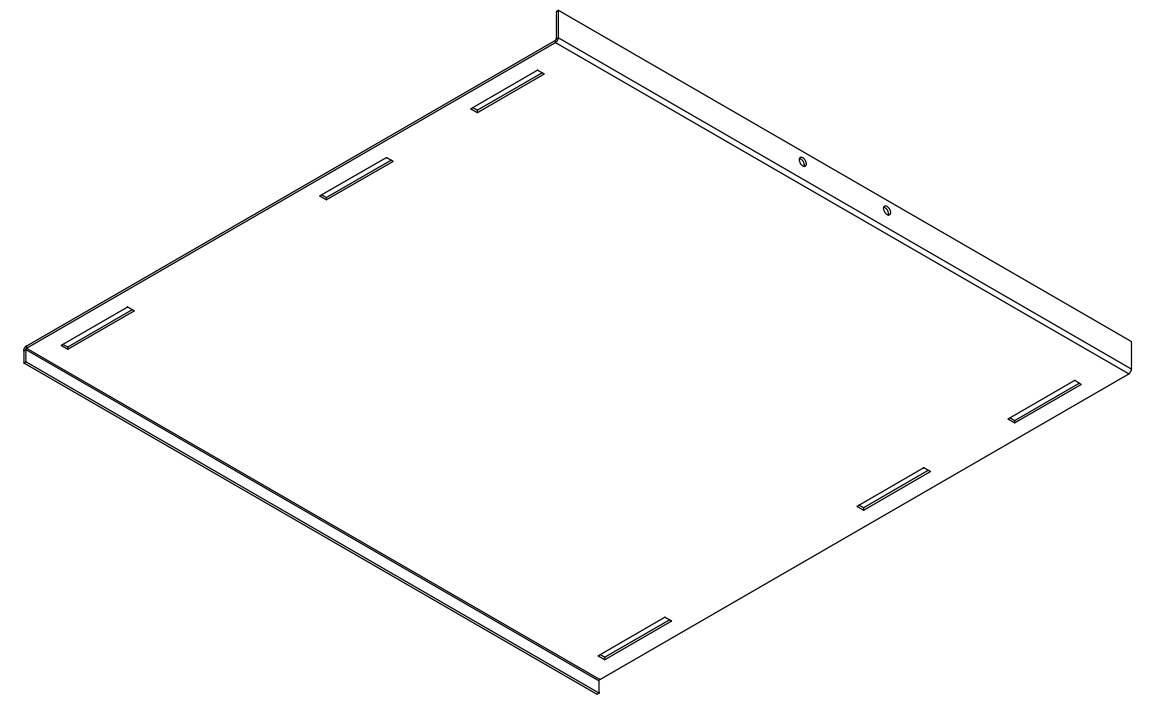
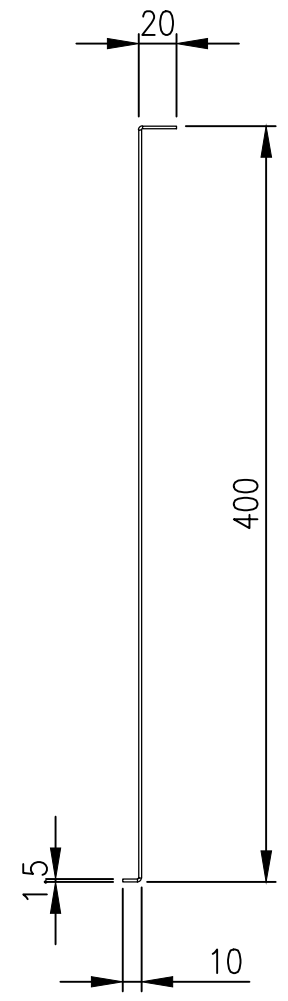
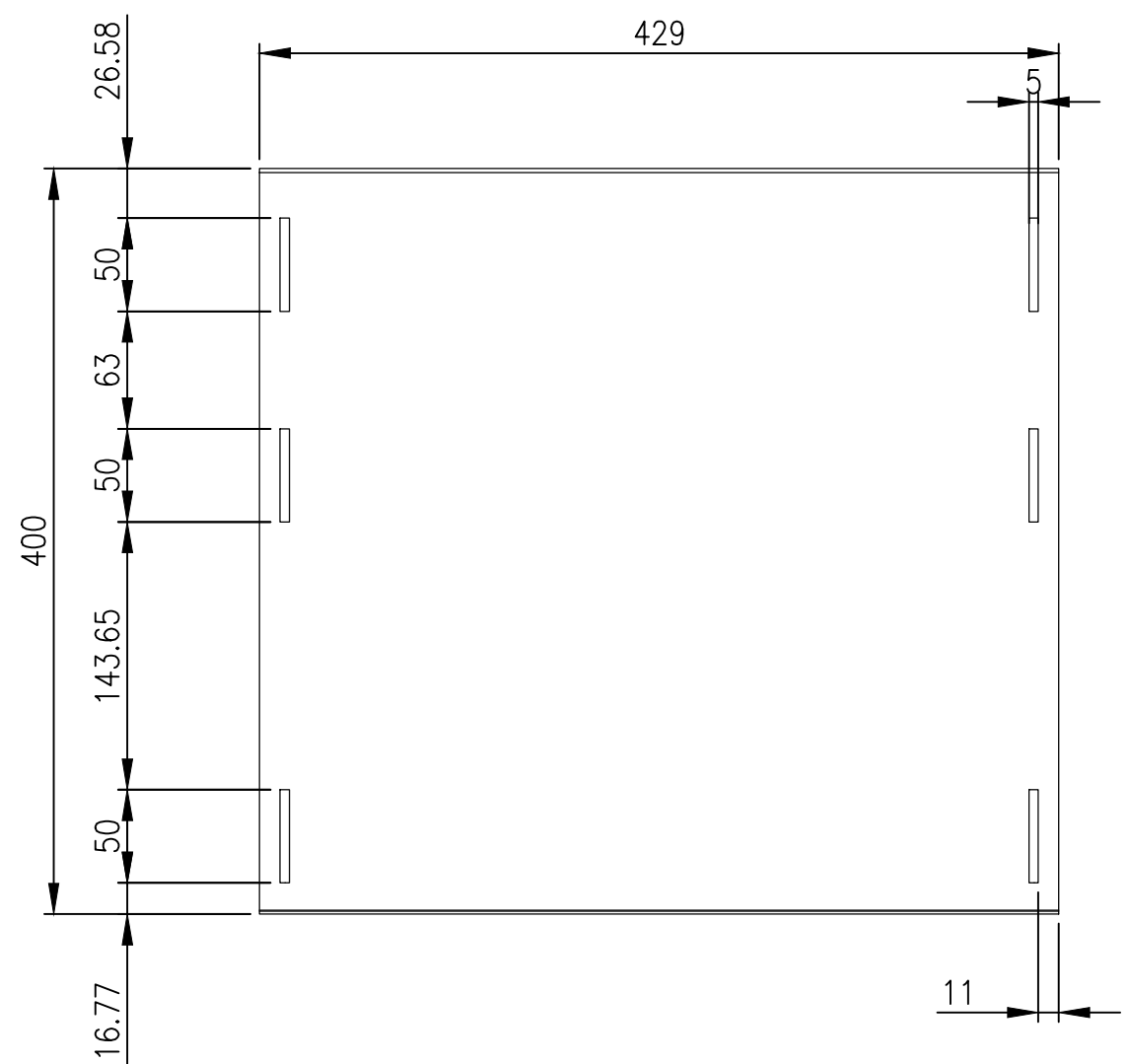


| RevNo | Revision note    | Date     | Signature | Checked |
|-------|------------------|----------|-----------|---------|
| 1     | GENERAL REVISION | 31/05/24 | IP        | IP      |



TOP VIEW

SIDE VIEW

FRONT VIEW

**MATERIAL**  
 BODY: 1.5mm GALVANISED STEEL SHEET  
 SURFACE TREATMENT: POWDER-COAT 80-120micron  
 COLOUR: RAL 9005

SHELF RATING: 25 Kg.

**STANDARD:** COMPATIBLE WITH 19" RACKS  
 EIA-310-D, RoHS

© IP ENCLOSURES 2023.  
 THIS DRAWING SHALL NOT BE COPIED OR REPRODUCED  
 WITHOUT AUTHORISATION FROM IP ENCLOSURES.  
 www.ipenclosures.com.au

| Itemref           | Quantity         | Title/Name, designation, material, dimension etc | Article No./Reference   |
|-------------------|------------------|--|-------------------------|
| Designed by<br>IP | Checked by<br>IP | Approved by - date<br>02/11/23                   | Filename<br>IP-RCHF140  |
|                   |                  | Date<br>02/11/23                                 | Scale<br>1:4            |
|                   |                  |  | 1RU 19" SLIDING SHELVES |
| IP-RCHF140        |                  |  | Edition<br>1            |
|                   |                  |  | Sheet<br>1/1            |