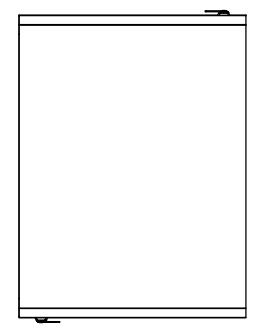
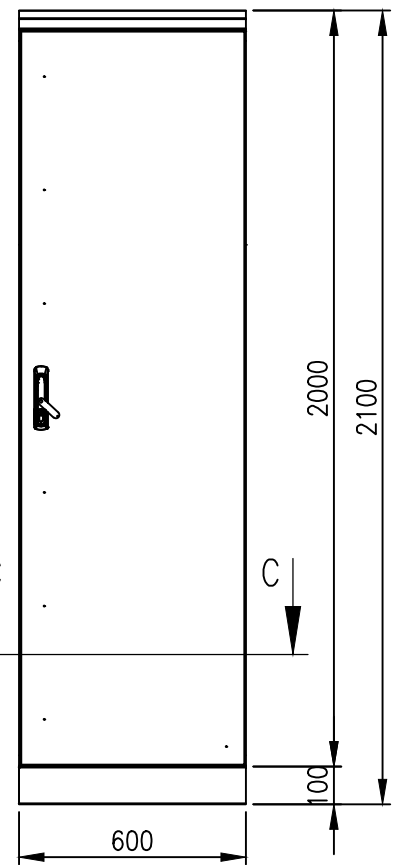


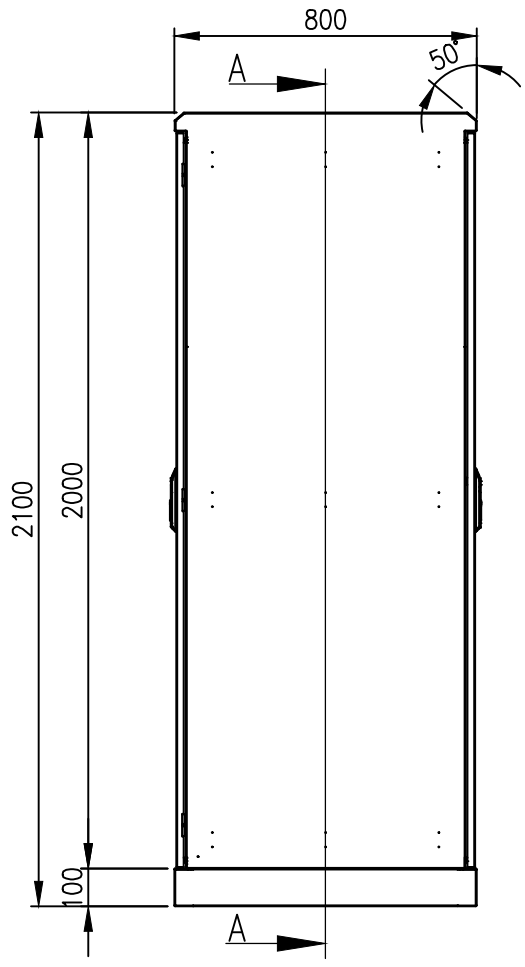
RevNo	Revision note	Date	Signature	Checked
3	GENERAL REVISION	04/03/24	IP	IP



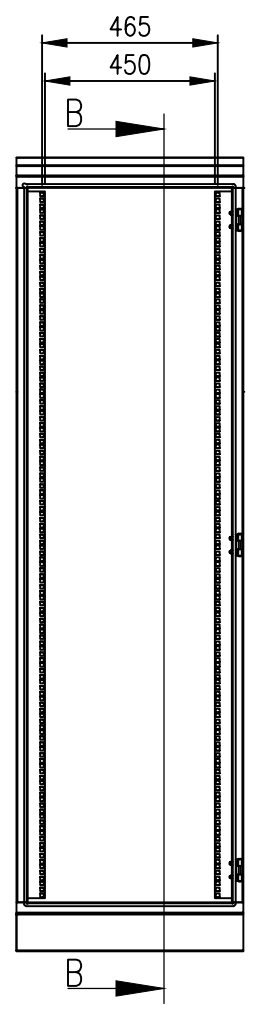
BOTTOM VIEW



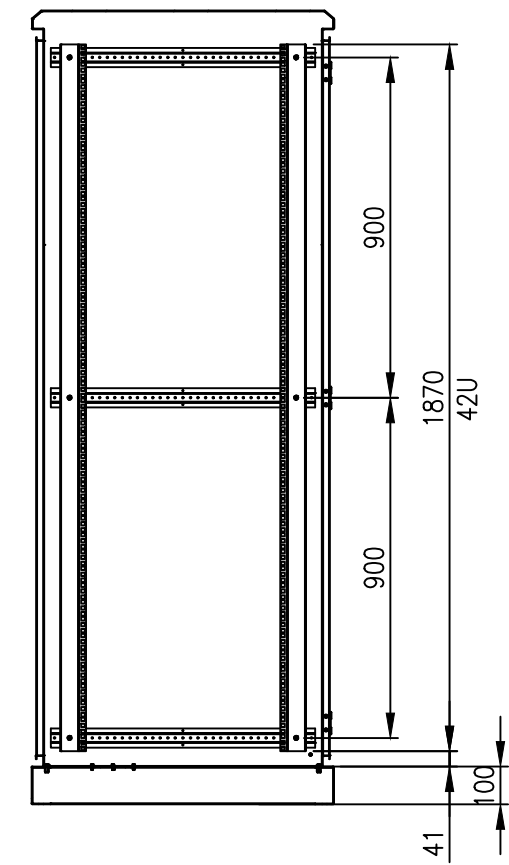
FRONT VIEW



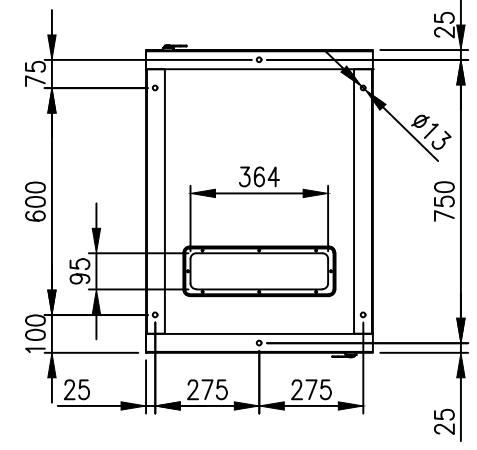
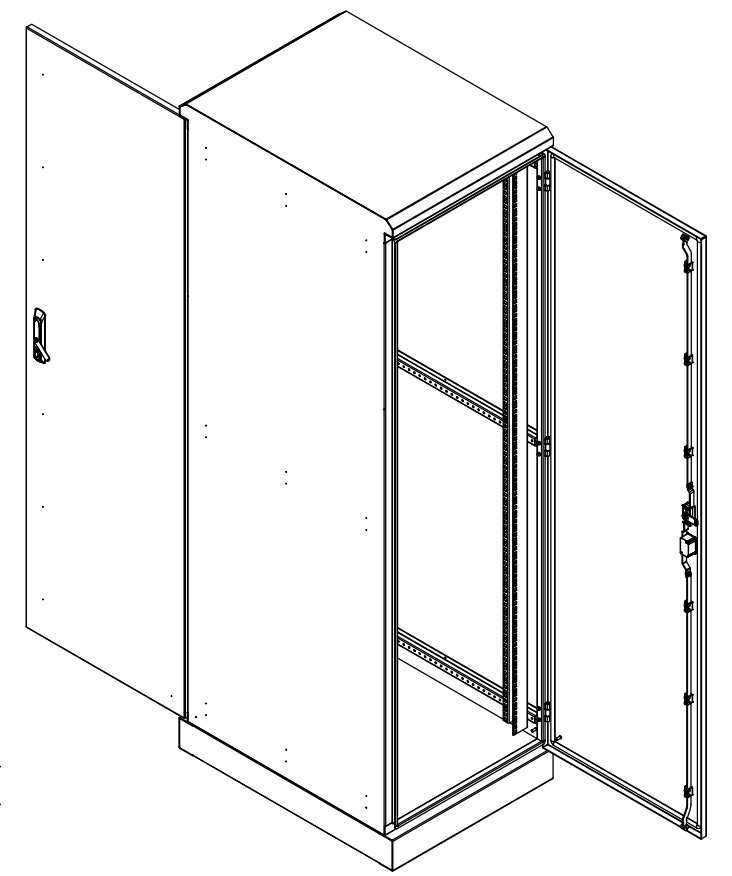
SIDE VIEW



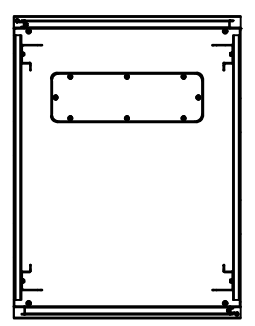
SECTION A-A



SECTION B-B



BOTTOM VIEW



SECTION C-C

MATERIAL
 BODY: 2.0mm GALVANISED STEEL SHEET
 DOOR: 2.0mm GALVANISED STEEL SHEET
 SEAL: POLYURETHANE
 SURFACE TREATMENT: POWDER-COAT 80-120micron

PROTECTION: IP66 IK10
STANDARD: IEC/EN/AS60529

© IP ENCLOSURES 2018.
 THIS DRAWING SHALL NOT BE COPIED OR REPRODUCED
 WITHOUT AUTHORISATION FROM IP ENCLOSURES.
 www.ipenclosures.com.au

Itemref	Quantity	Title/Name, designation, material, dimension etc	Article No./Reference
Designed by IP	Checked by IP	Approved by - date 02/07/18	Filename IP-SD2006080-RD
Date 02/07/18	Date 02/07/18	Scale 1:20	
			42U 2000x600x800 IP66 19" DATA RACK
IP-SD2006080-RD			Edition 3
			Sheet 1/1