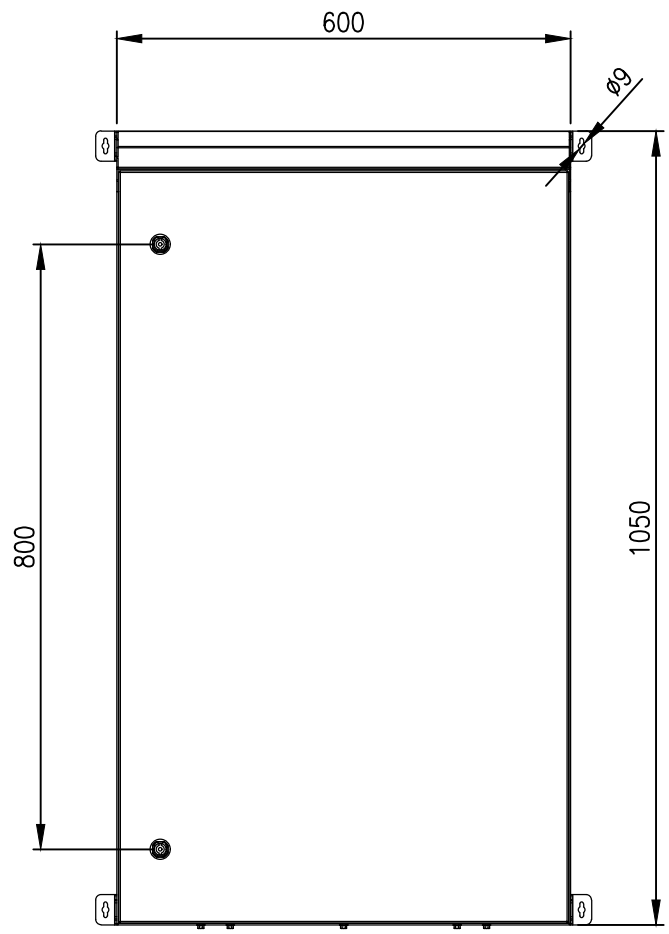
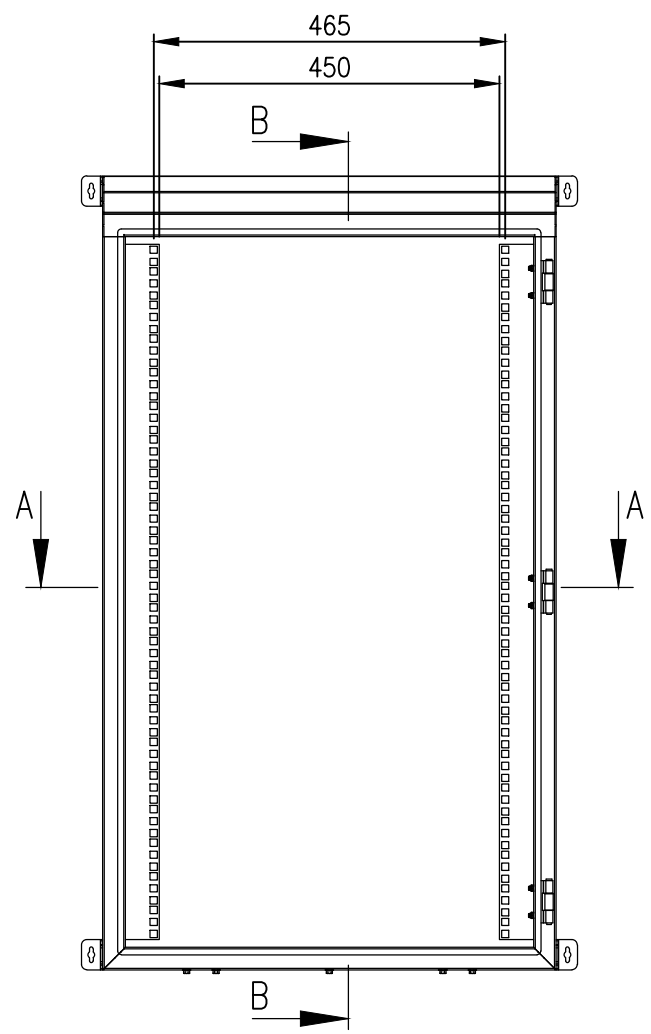


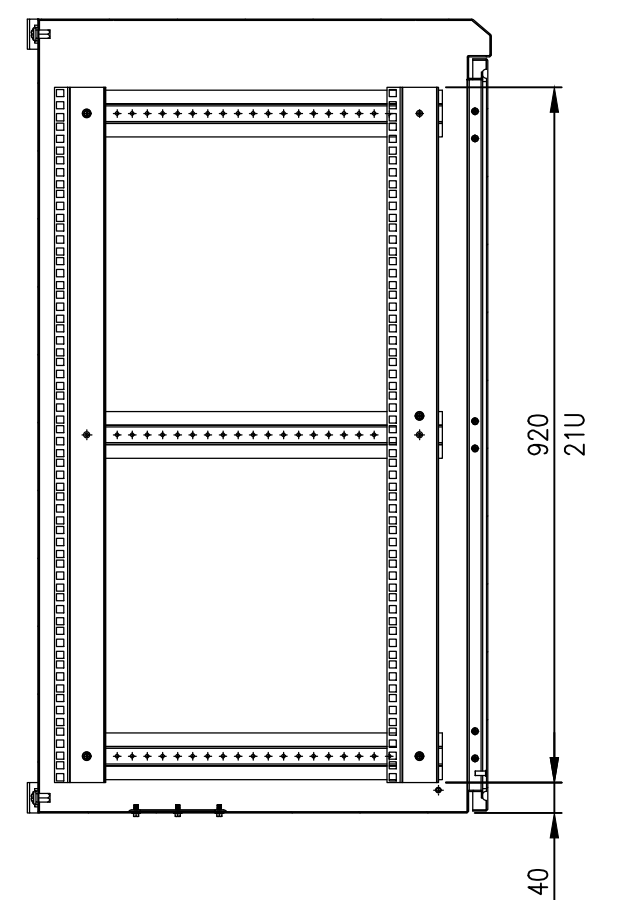
LEFT SIDE VIEW



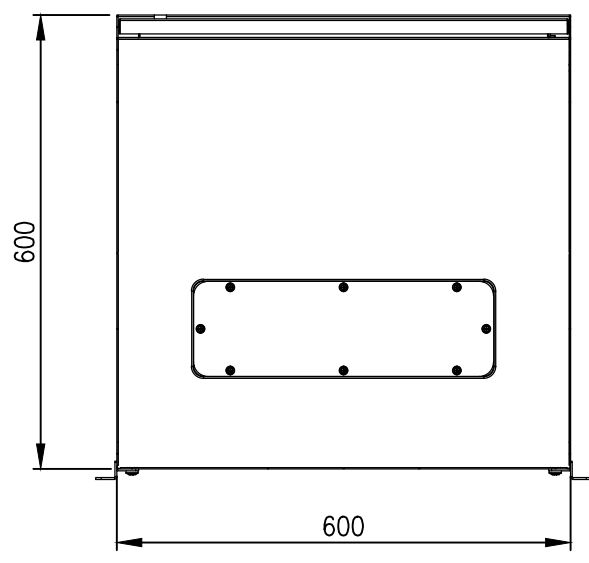
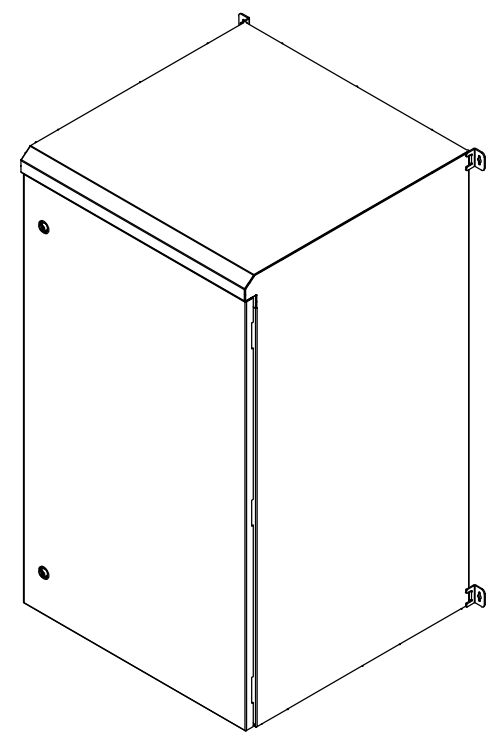
FRONT VIEW



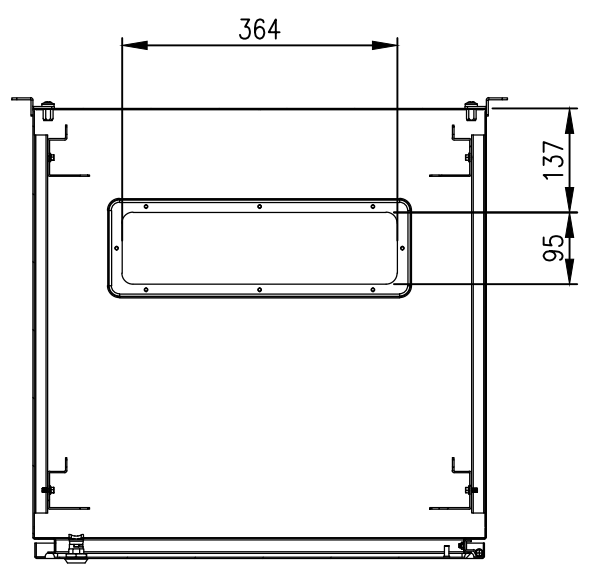
FRONT VIEW-DOOR REMOVED



SECTION B-B



BOTTOM VIEW



SECTION A-A

**MATERIAL**  
 BODY: 1.5mm GALVANISED STEEL SHEET  
 DOOR: 1.5mm GALVANISED STEEL SHEET  
 19" RAILS: 1.5mm GALVANISED STEEL SHEET  
 SEAL: POLYURETHANE  
 SURFACE TREATMENT: POWDER-COAT 80-120micron

**PROTECTION:** IP66 IK10  
**STANDARD:** EIA-310-D, IEC/EN/AS60529

© IP ENCLOSURES 2024.  
 THIS DRAWING SHALL NOT BE COPIED OR REPRODUCED  
 WITHOUT AUTHORISATION FROM IP ENCLOSURES.  
 www.ipenclosures.com.au

Itemref	Quantity	Title/Name, designation, material, dimension etc	Article No./Reference
Designed by IP	Checked by IP	Approved by - date 16/07/24	Filename IP-SDW21U60
Date 16/07/24		Scale 1:10	Article No./Reference 21U 19" DATA RACK 600 DEEP
Edition 0		Sheet 1/1	IP-SDW21U60

