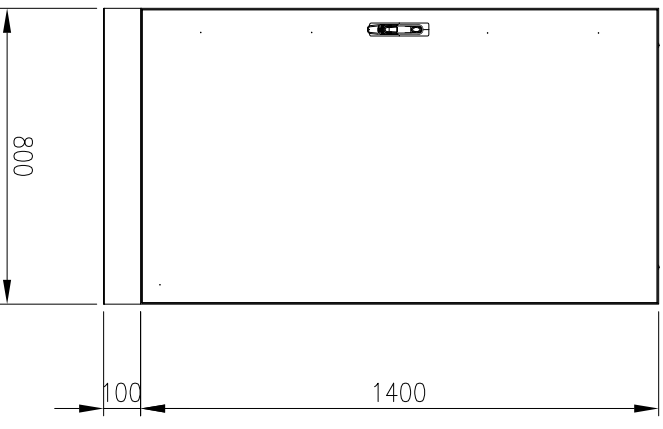
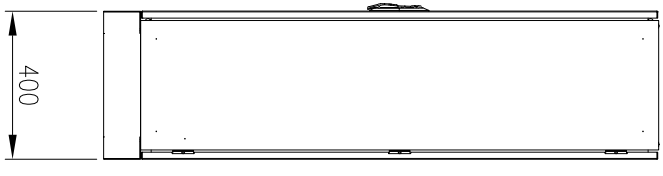


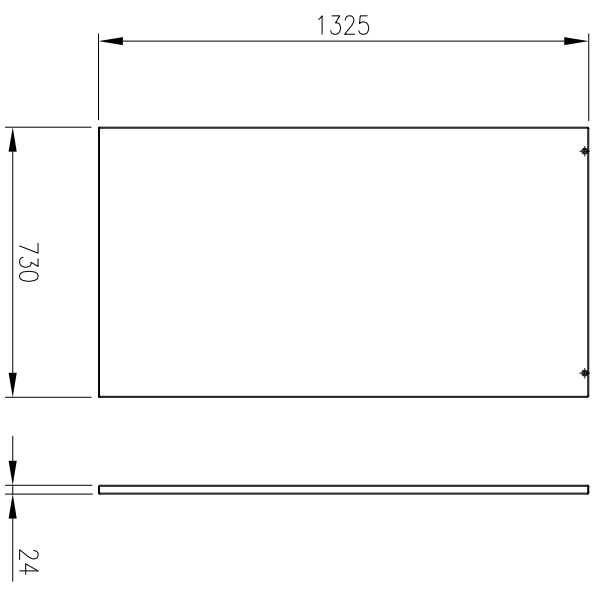
TOP VIEW



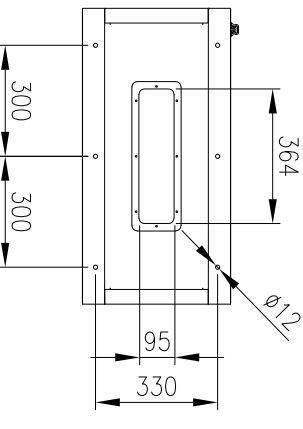
FRONT VIEW



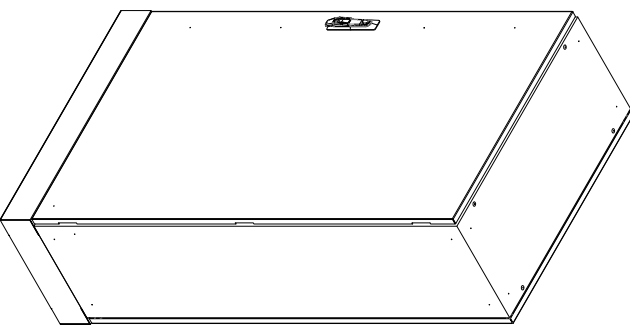
SIDE VIEW



DEVICE MOUNTING PLATE



BOTTOM VIEW



MATERIAL
 BODY: 1.5mm 316 STAINLESS STEEL
 DOOR: 1.5mm 316 STAINLESS STEEL
 DEVICE PLATE: 1.5mm GALV STEEL
 SEAL: POLYURETHANE

PROTECTION: IP66 IK10, NEMA4x
STANDARD: IEC62208, IEC/EN/AS60529

© IP ENCLOSURES 2016.
 THIS DRAWING SHALL NOT BE COPIED OR REPRODUCED
 WITHOUT AUTHORISATION FROM IP ENCLOSURES.
 www.ipenclosures.com.au

Item#	Quantity	TradeName, designation, material, dimension etc.	Article No/Reference	Scale
IP	1	1400 x 800 x 400 316SS ENCLOSURE	IP-S1408040	1:20
IP	1	730 x 1325 x 24 DEVICE MOUNTING PLATE	IP-S1408040	1:1

