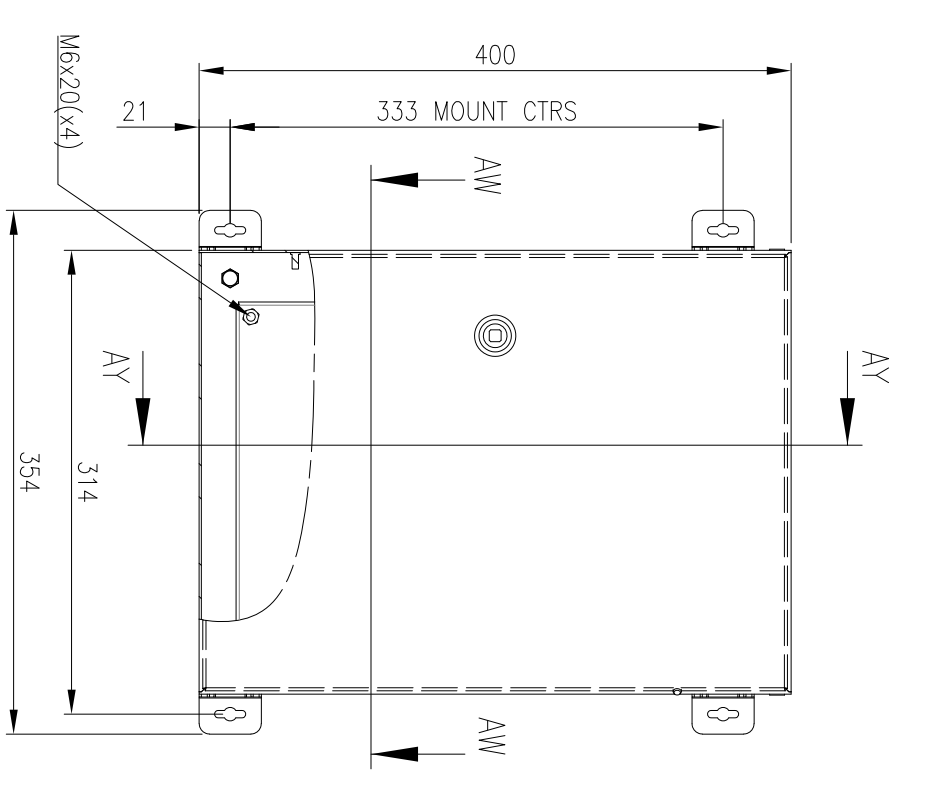
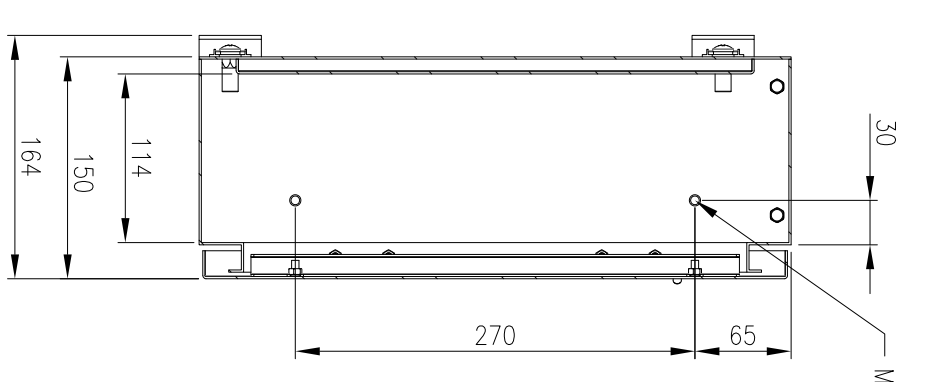


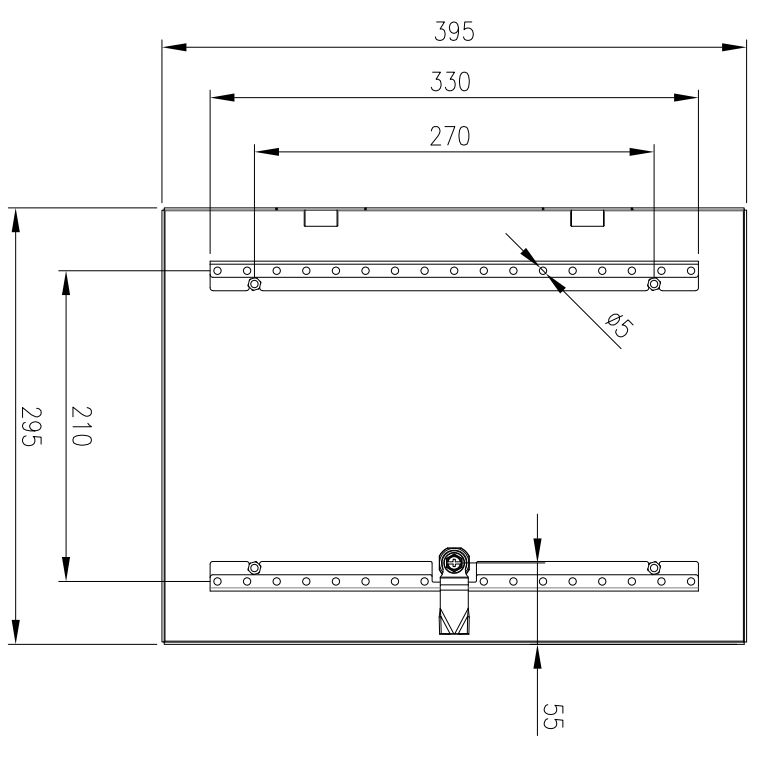
| RevNo | Revision note | Date | Signature | Checked |
|-------|------------------|--------|-----------|---------|
| 2 | GENERAL REVISION | 9/7/19 | IP | IP |



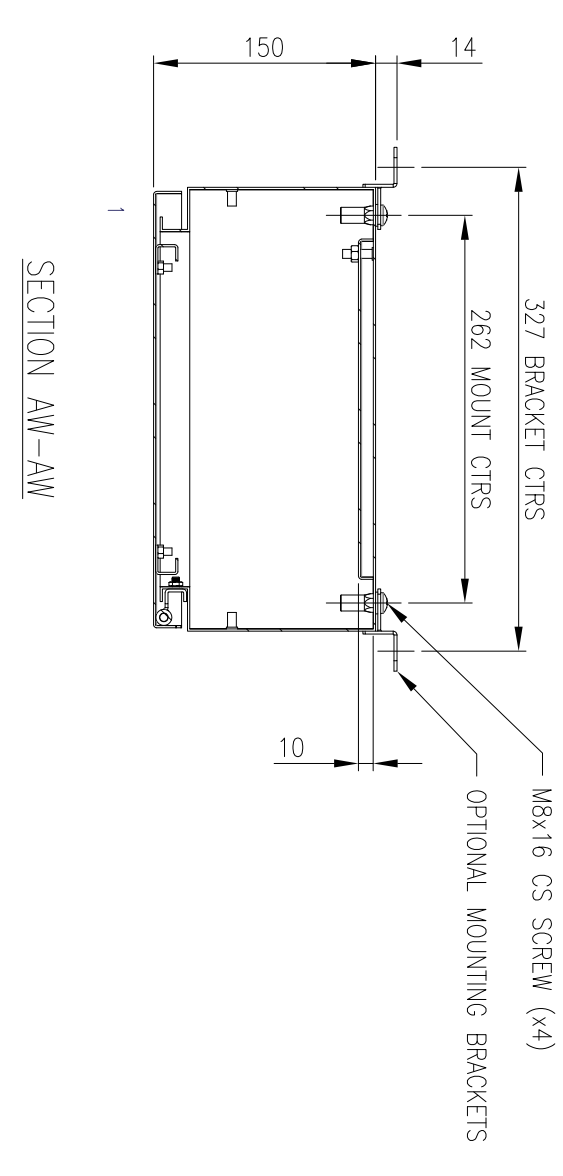
FRONT VIEW



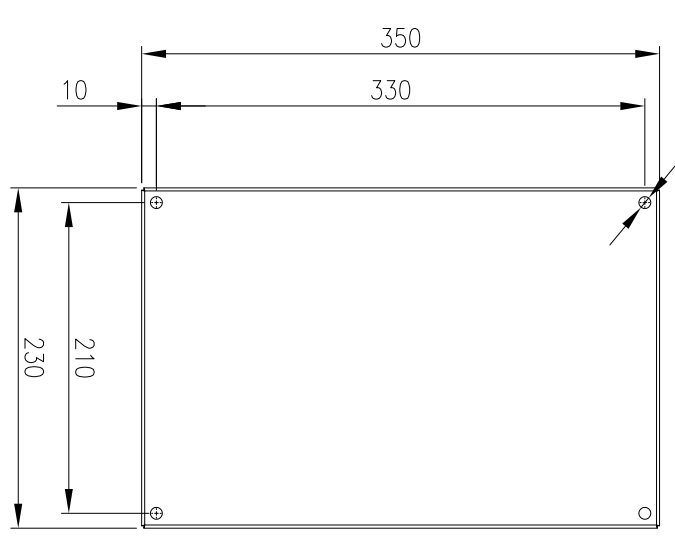
SECTION AV-AV



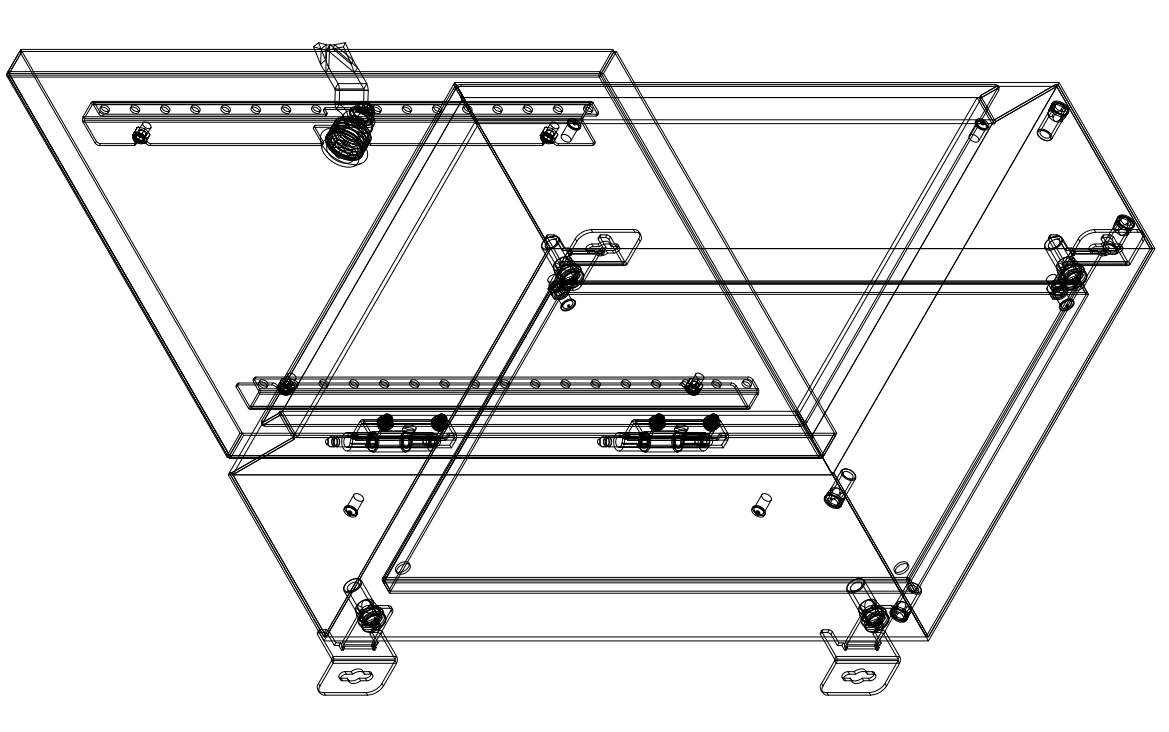
INSIDE DOOR VIEW



SECTION AW-AW



DEVICE MOUNTING PLATE



MATERIAL
 BODY: 1.5mm 316 STAINLESS STEEL
 DOOR: 1.5mm 316 STAINLESS STEEL
 DEVICE PLATE: 1.5mm GALV STEEL
 SEAL: POLYURETHANE

MASS: 7.8kg

PROTECTION: IP66 IK10, NEMA4x
 STANDARD: IEC62208, IEC/EN/AS60529

© IP ENCLOSURES 2016.
 THIS DRAWING SHALL NOT BE COPIED OR REPRODUCED
 WITHOUT AUTHORISATION FROM IP ENCLOSURES.
 www.ipenclosures.com.au

| Item# | Quantity | TradeName, designation, material, dimension etc. | Article No./Reference | Scale |
|-------|----------|--|-----------------------------|-------|
| IP | 1 | 400x300x150 316SS ENCLOSURE | 400X300X150 316SS ENCLOSURE | 1:5 |
| IP | 1 | IP-SS403015-01 | IP-SS403015-01 | 1/1" |

