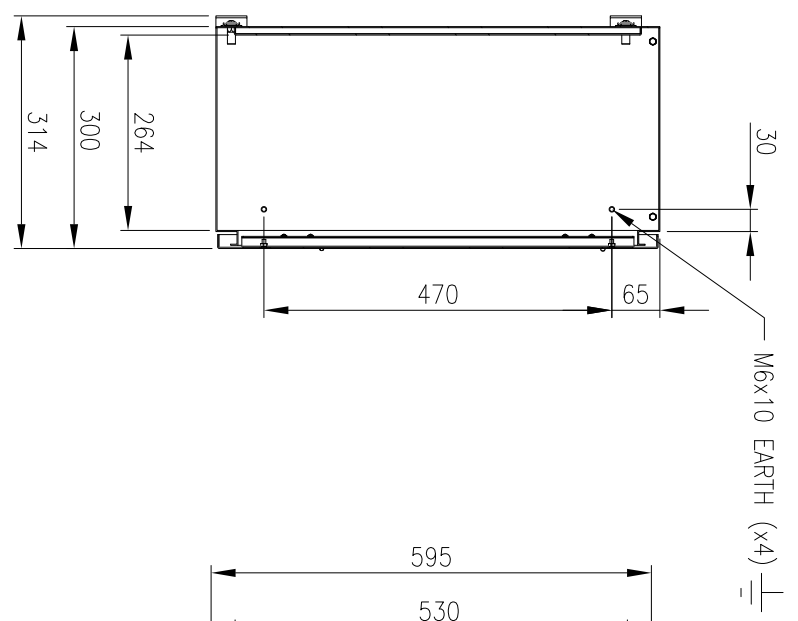
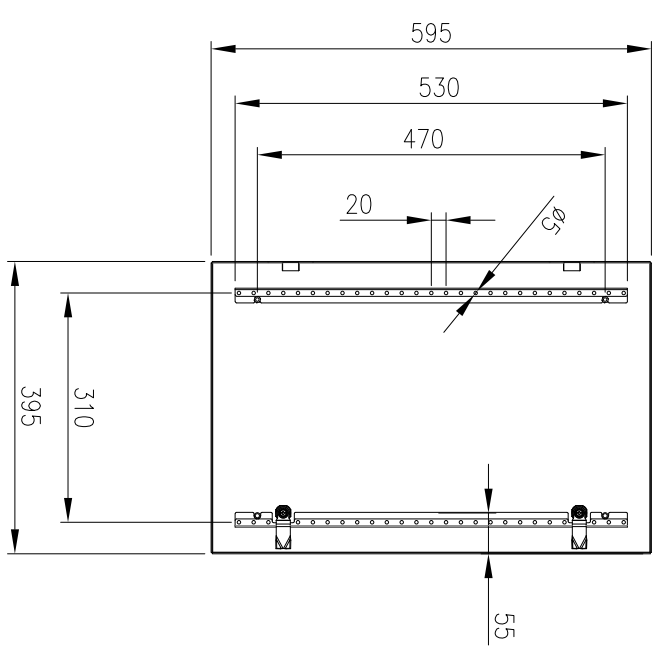


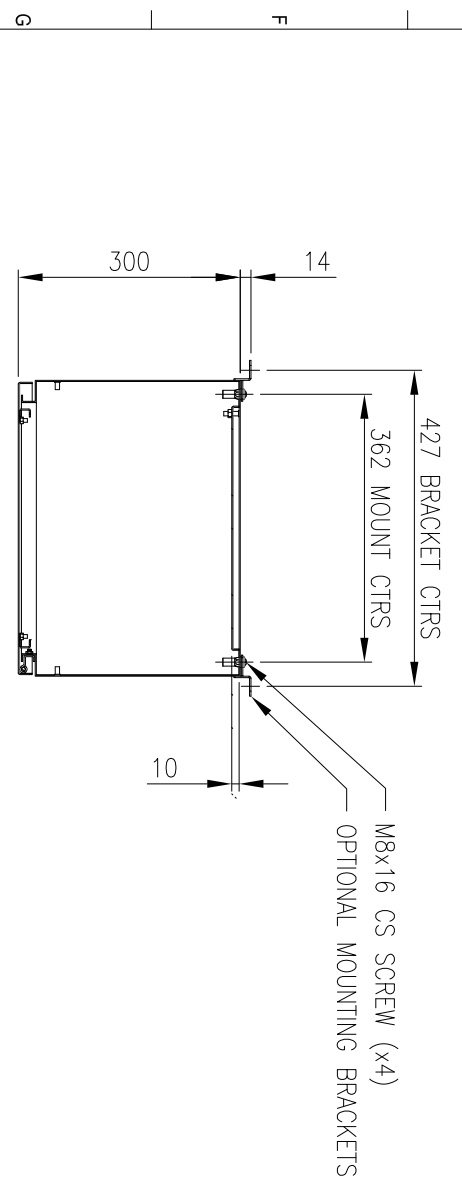
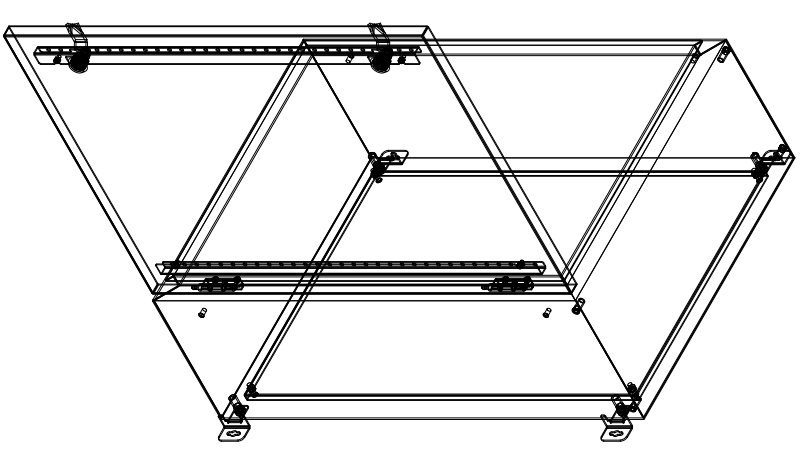
FRONT VIEW



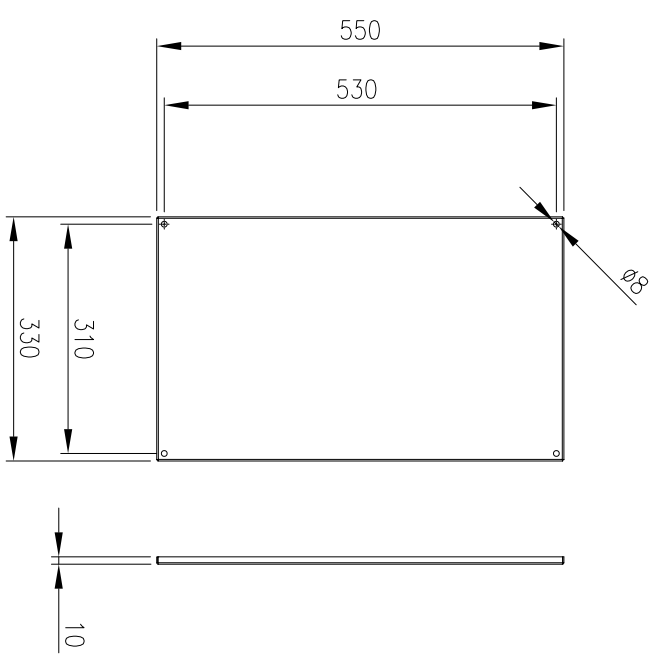
SECTION AY-AY



INSIDE DOOR VIEW



SECTION AW-AW



DEVICE MOUNTING PLATE

**MATERIAL**  
 BODY: 1.5mm 316 STAINLESS STEEL  
 DOOR: 1.5mm 316 STAINLESS STEEL  
 DEVICE PLATE: 1.5mm GALV STEEL  
 SEAL: POLYURETHANE  
 PROTECTION: IP66 IK10, NEMA4x  
 STANDARD: IEC62208, IEC/EN/AS60529

© IP ENCLOSURES 2016.  
 THIS DRAWING SHALL NOT BE COPIED OR REPRODUCED  
 WITHOUT AUTHORISATION FROM IP ENCLOSURES.  
 www.ipenclosures.com.au

Item	Quantity	TradeName, designation, material, dimension etc.	Article No./Reference	Scale
IP Enclosures				1:10
Designed by	Checked by	Approved by - date	Filename	Date
IP	IP	28/06/21	IP-SS604030-01	28/06/21
			600X400X300 316SS ENCLOSURE	
			IP-SS604030-01	
			Edition	Sheet
			0	1/1