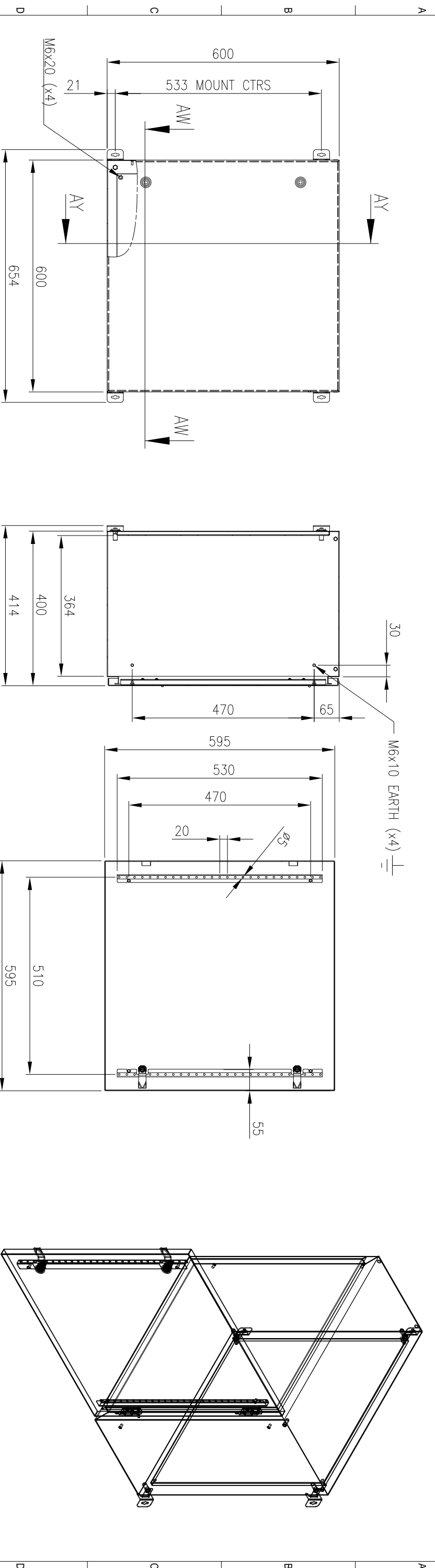


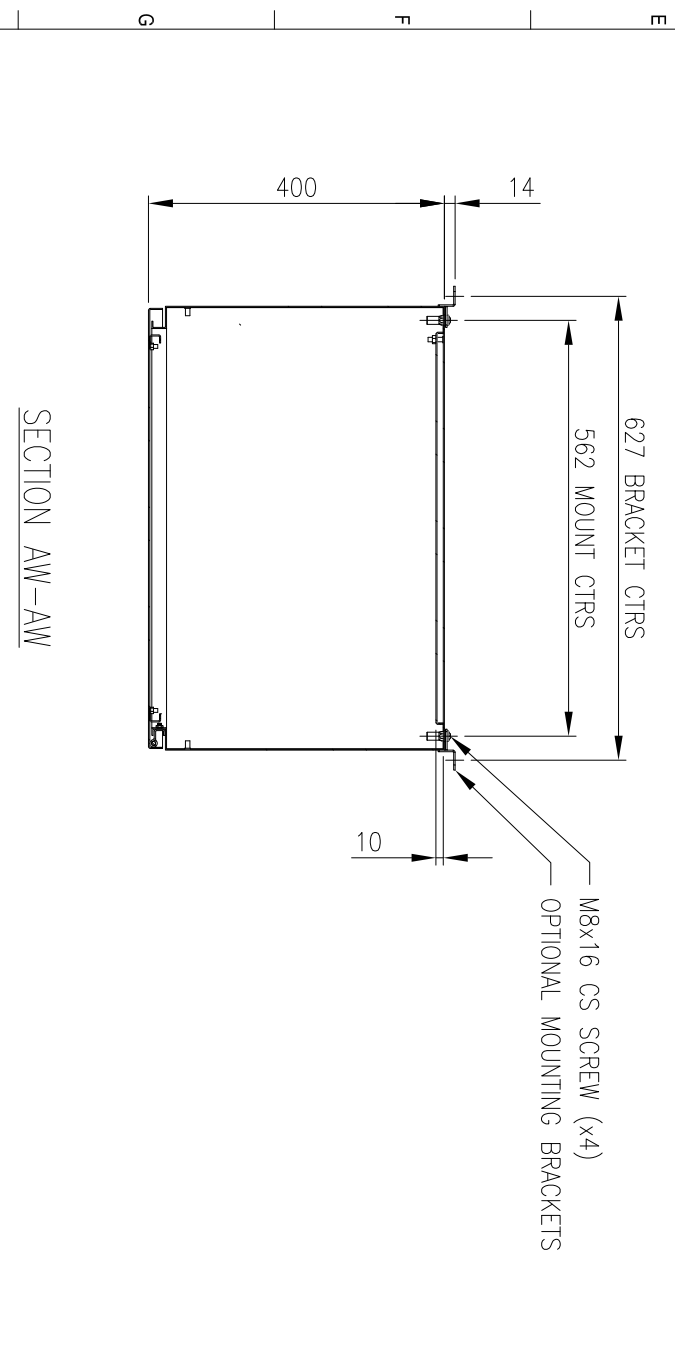
RevNo	Revision note	Date	Signature	Checked
3	GENERAL REVISION	9/7/19	IP	IP



FRONT VIEW

SECTION AY-AY

INSIDE DOOR VIEW



SECTION AW-AW

DEVICE MOUNTING PLATE

MATERIAL
 BODY: 1.5mm 316 STAINLESS STEEL
 DOOR: 1.5mm 316 STAINLESS STEEL
 DEVICE PLATE: 1.5mm GALV STEEL
 SEAL: POLYURETHANE

MASS: 28.0kg

PROTECTION: IP66 IK10, NEMA4x
 STANDARD: IEC62208, IEC/EN/AS60529

© IP ENCLOSURES 2016.
 THIS DRAWING SHALL NOT BE COPIED OR REPRODUCED
 WITHOUT AUTHORISATION FROM IP ENCLOSURES.
 www.ipenclosures.com.au

Item#	Quantity	TradeName, designation, material, dimension etc.	Article No./Reference	Scale
IP		IP-SS6064-01	17/10/16	1:10
IP		IP-SS6064-01	17/10/16	1:10
IP		600X600X400 316SS ENCLOSURE		
IP		IP-SS6064-01		

