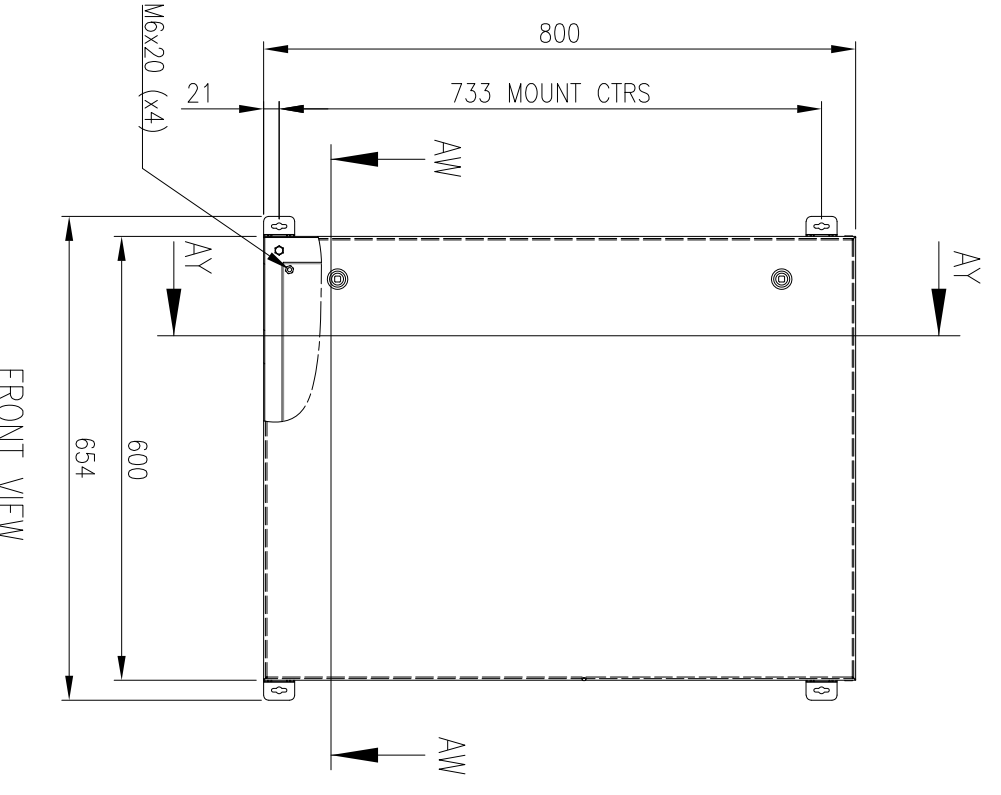
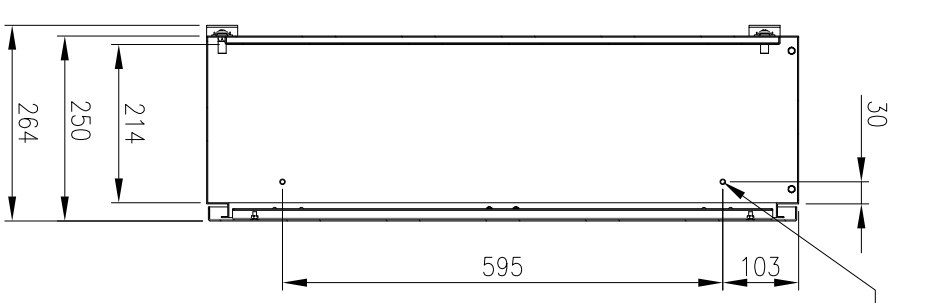


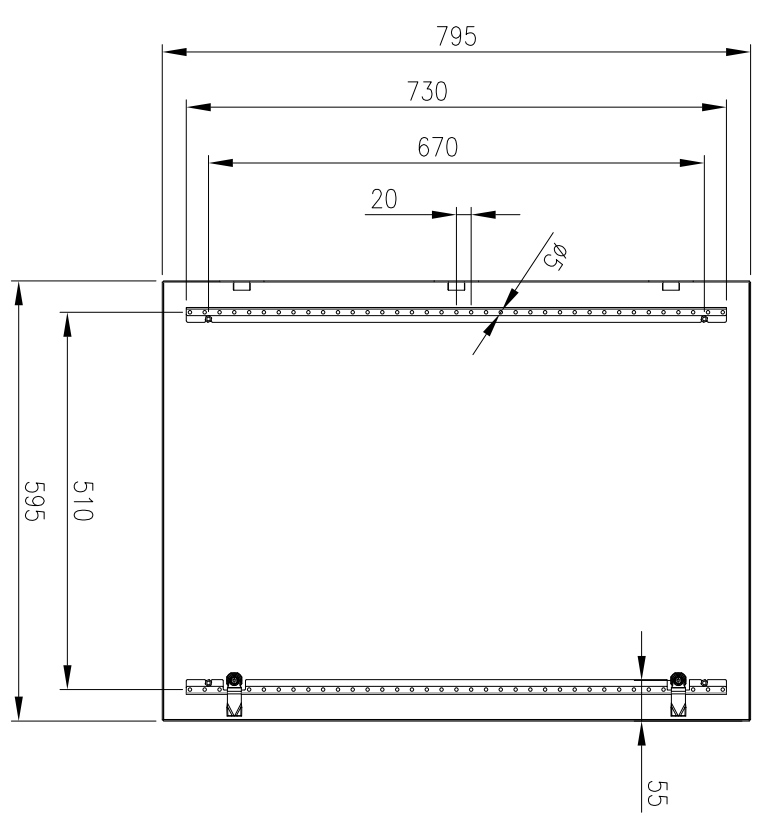
RevNo	Revision note	Date	Signature	Checked
2	GENERAL REVISION	9/7/19	IP	IP



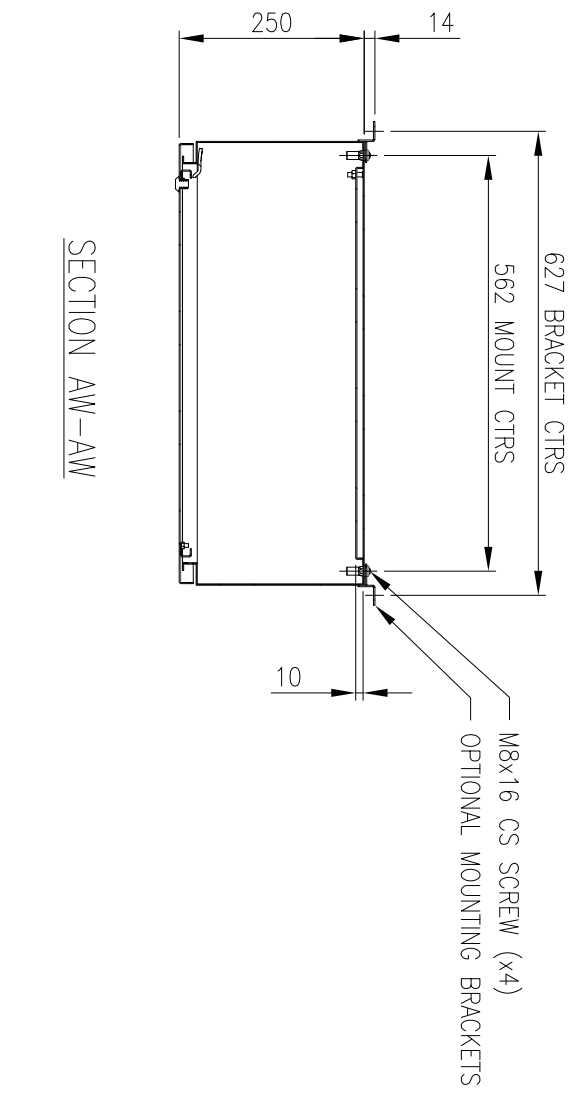
FRONT VIEW



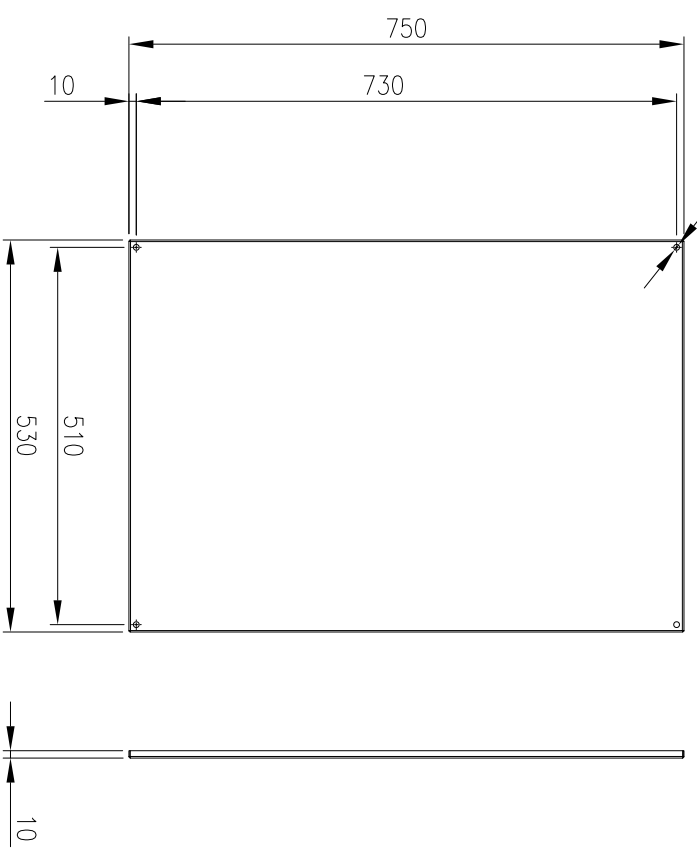
SECTION AY-AY



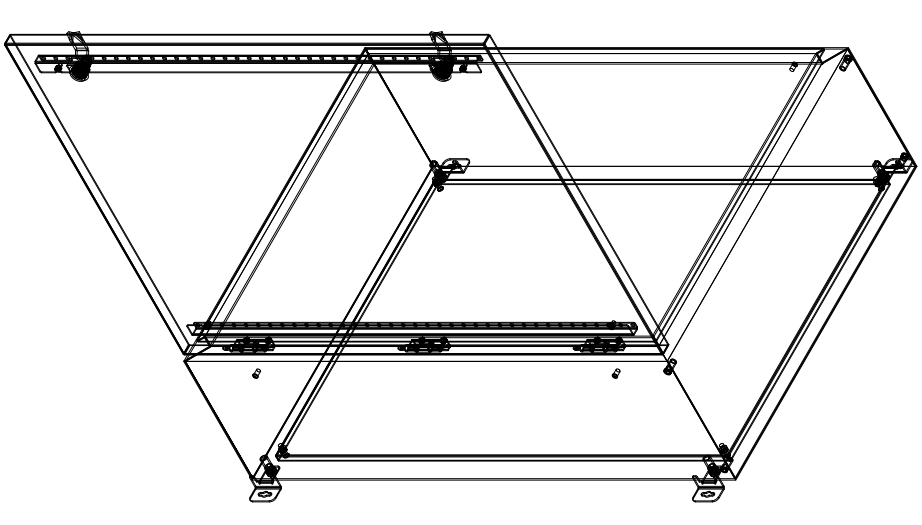
INSIDE DOOR VIEW



SECTION AW-AW



DEVICE MOUNTING PLATE



MATERIAL
 BODY: 1.5mm 316 STAINLESS STEEL
 DOOR: 1.5mm 316 STAINLESS STEEL
 DEVICE PLATE: 1.5mm GALV STEEL
 SEAL: POLYURETHANE

MASS: 28.0kg

PROTECTION: IP66 IK10, NEMA4x
 STANDARD: IEC62208, IEC/EN/AS60529

© IP ENCLOSURES 2016.
 THIS DRAWING SHALL NOT BE COPIED OR REPRODUCED
 WITHOUT AUTHORISATION FROM IP ENCLOSURES.
 www.ipenclosures.com.au

Item#	Quantity	TradeName, designation, material, dimension etc	Article No/Reference	Scale
IP	1	IP-SS906025-01	IP-SS906025-01	1:10
IP	1	IP-SS906025-01	IP-SS906025-01	1:10
IP	1	IP-SS906025-01	IP-SS906025-01	1:10

