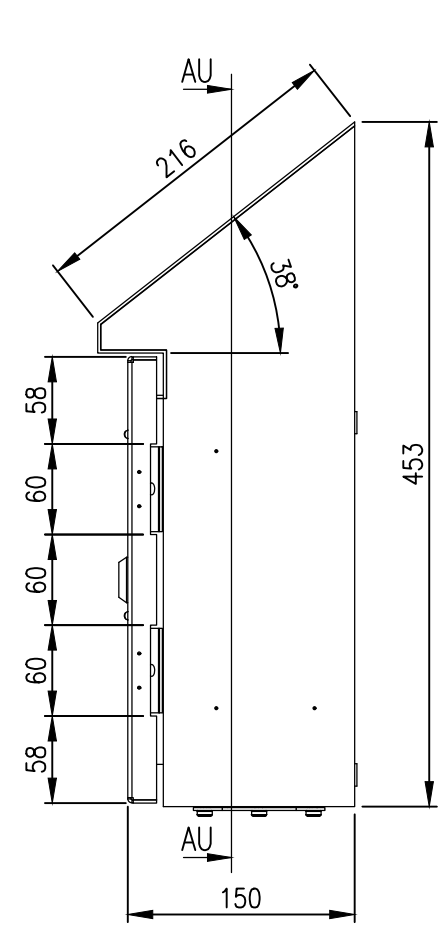
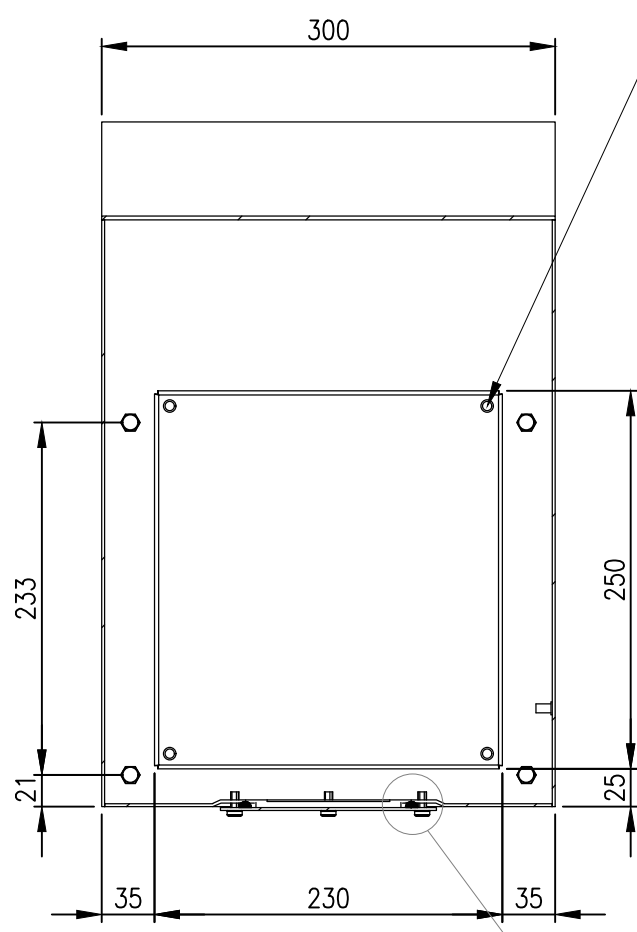


SECTION AV-AV

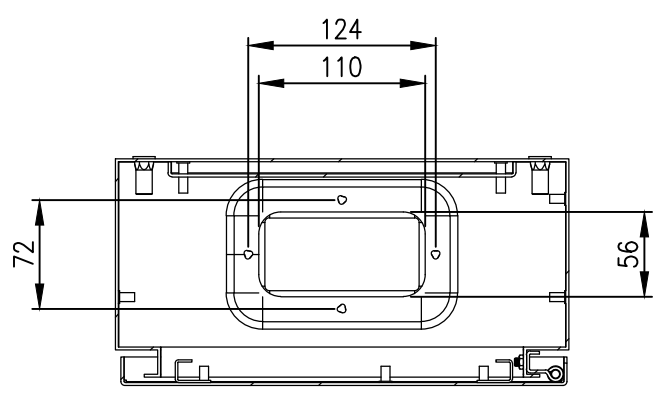
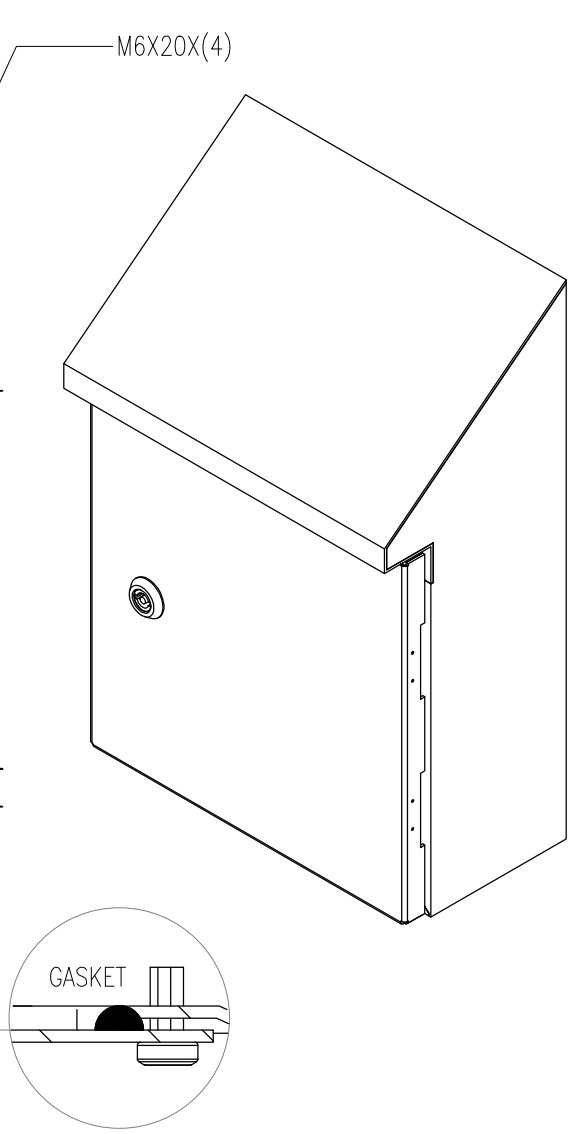
FRONT VIEW



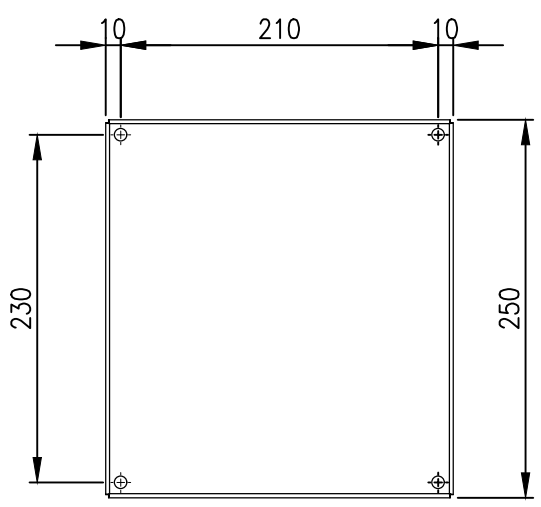
RIGHT SIDE VIEW



SECTION AU-AU



SECTION AY-AY



MOUNTING PLATE
(PAINTED TO RAL9010)

MATERIAL
 BODY: 2.0mm GALVANISED STEEL SHEET
 DOOR: 2.0mm GALVANISED STEEL SHEET
 MOUNTING PLATE: GALVANISED STEEL SHEET
 GLAND PLATE: 2.0mm GALVANISED STEEL SHEET
 SEAL: POLYURETHANE

PROTECTION: IP66 IK10, NEMA 4
 STANDARD: IEC62208, IEC/EN/AS60529

© IP ENCLOSURES 2022.
 THIS DRAWING SHALL NOT BE COPIED OR REPRODUCED WITHOUT
 AUTHORISATION FROM IP ENCLOSURES.
 www.ipenclosures.com.au

Itemref	Quantity	Title/Name, designation, material, dimension etc	Article No./Reference
Designed by IP	Checked by IP	Approved by - date 28/07/22	Filename IP-SSR303015-HD-OR
Date 28/07/22		Scale 1:5	Article No./Reference 300x300x150 HD STEEL SLOPING ROOF ENCLOSURE
Edition 1/1		Sheet 1/1	