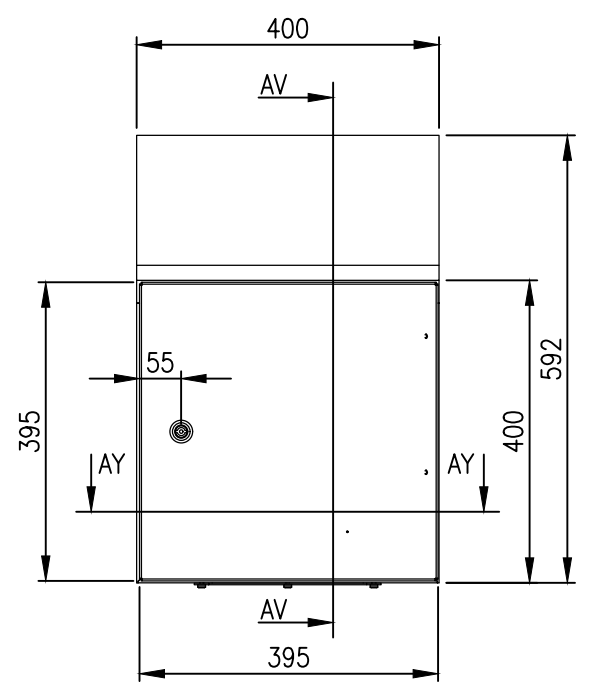
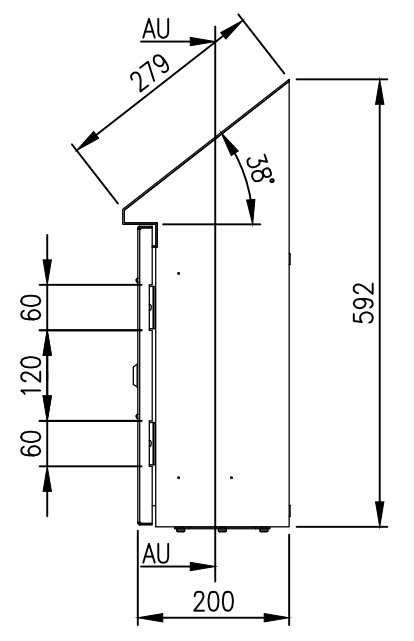


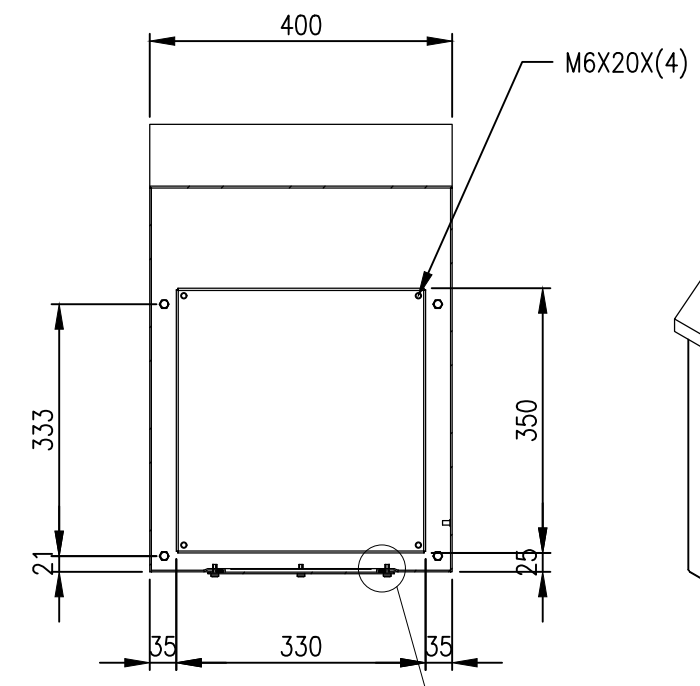
SECTION AV-AV



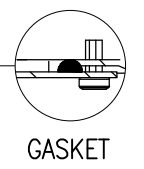
FRONT VIEW



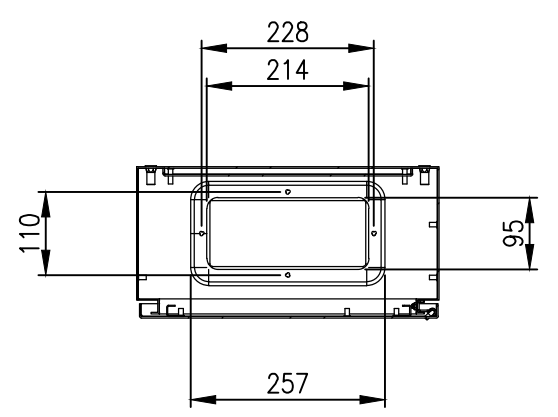
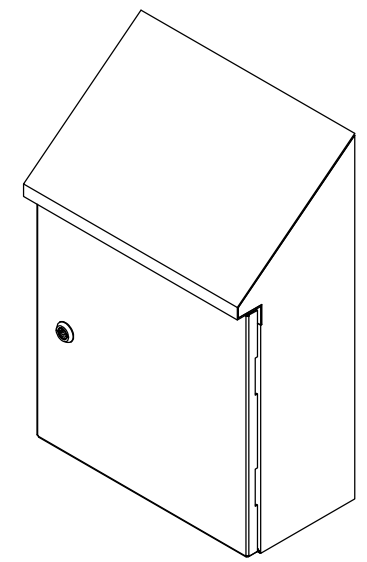
RIGHT SIDE VIEW



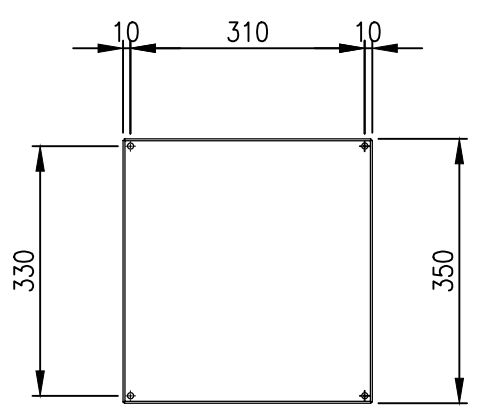
SECTION AU-AU



GASKET



SECTION AY-AY



MOUNTING PLATE
(PAINTED TO RAL9010)

MATERIAL
 BODY: 2.0mm GALVANISED STEEL SHEET
 DOOR: 2.0mm GALVANISED STEEL SHEET
 MOUNTING PLATE: GALVANISED STEEL SHEET
 GLAND PLATE: 2.0mm GALVANISED STEEL SHEET
 SEAL: POLYURETHANE

PROTECTION: IP66 IK10, NEMA 4
 STANDARD: IEC62208, IEC/EN/AS60529

© IP ENCLOSURES 2022.
 THIS DRAWING SHALL NOT BE COPIED OR REPRODUCED WITHOUT
 AUTHORISATION FROM IP ENCLOSURES.
 www.ipenclosures.com.au

Itemref	Quantity	Title/Name, designation, material, dimension etc	Article No./Reference
IP	1	400x400x200 HD STEEL SLOPING ROOF ENCLOSURE	IP-SSR404020-HD-OR
IP	1	MOUNTING PLATE	IP-SSR404020-MP
IP	5	M6X10X(5)	IP-SSR404020-M6X10X(5)
IP	4	M6X20X(4)	IP-SSR404020-M6X20X(4)
IP	1	GASKET	IP-SSR404020-GASKET



400x400x200 HD STEEL SLOPING ROOF ENCLOSURE
 IP-SSR404020-HD-OR
 Edition 0
 Sheet 1/1