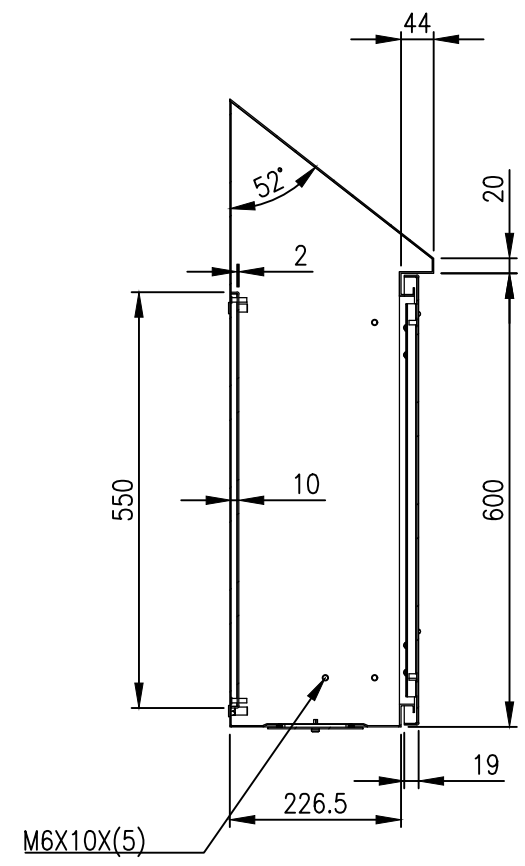
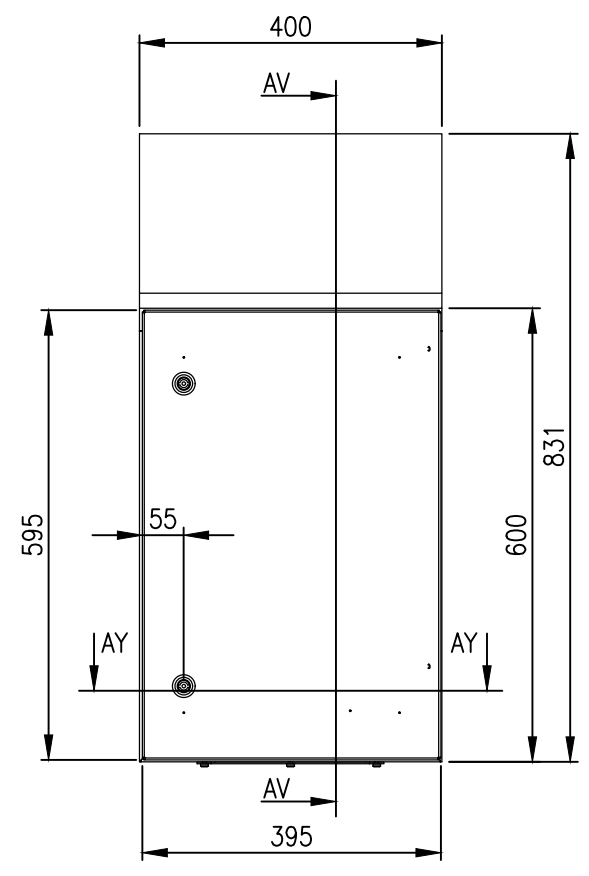


A
B
C
D
E
F
G
H

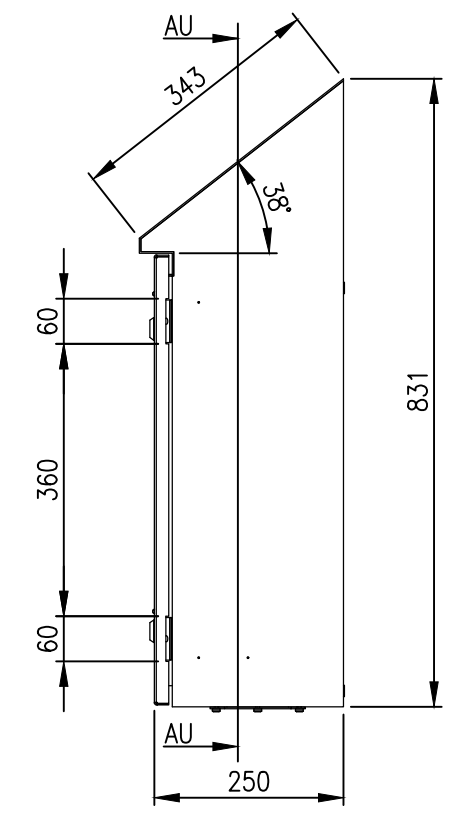
A
B
C
D
E
F
G
H



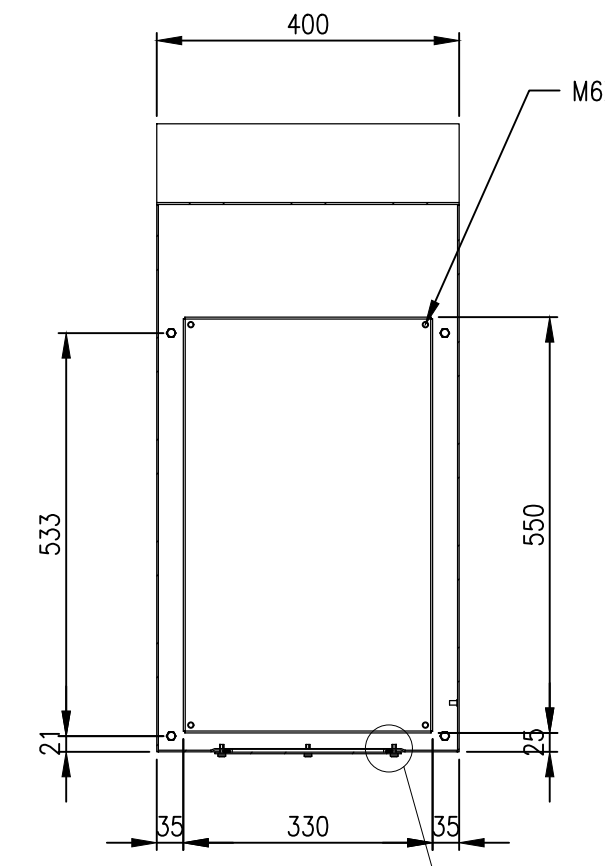
SECTION AV-AV



FRONT VIEW

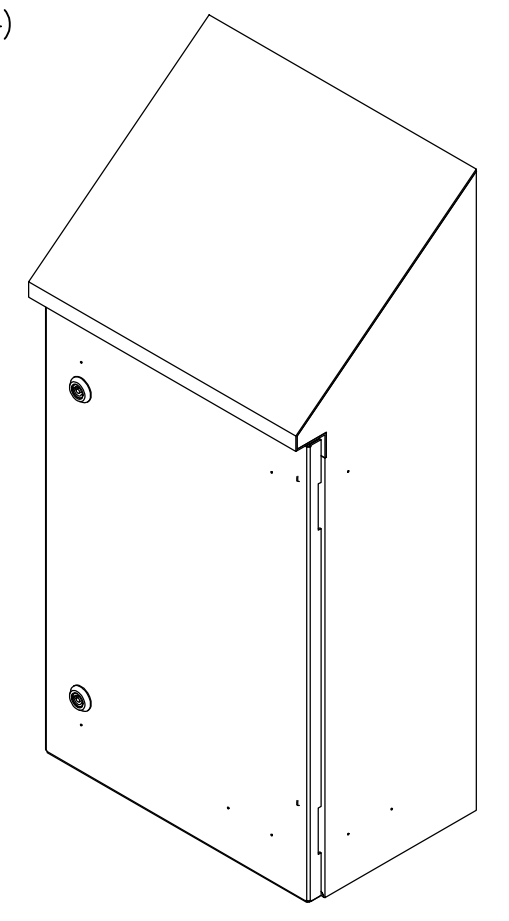


RIGHT SIDE VIEW

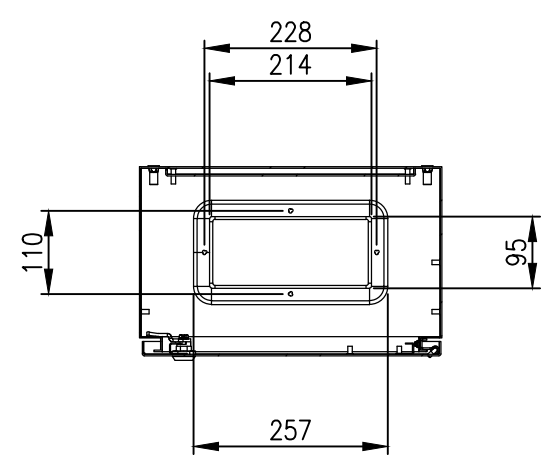


SECTION AU-AU

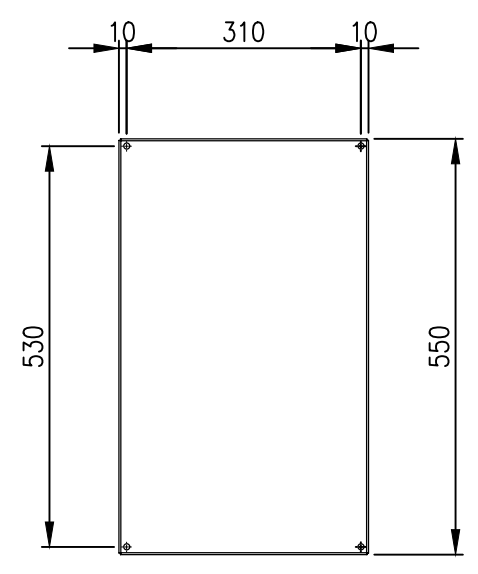
GASKET



M6X20X(4)



SECTION AY-AY



MOUNTING PLATE
(PAINTED TO RAL9010)

MATERIAL
 BODY: 2.0mm GALVANISED STEEL SHEET
 DOOR: 2.0mm GALVANISED STEEL SHEET
 MOUNTING PLATE: GALVANISED STEEL SHEET
 GLAND PLATE: 2.0mm GALVANISED STEEL SHEET
 SEAL: POLYURETHANE

PROTECTION: IP66 IK10, NEMA 4
 STANDARD: IEC62208, IEC/EN/AS60529

© IP ENCLOSURES 2022.
 THIS DRAWING SHALL NOT BE COPIED OR REPRODUCED WITHOUT
 AUTHORISATION FROM IP ENCLOSURES.
 www.ipenclosures.com.au

Itemref	Quantity	Title/Name, designation, material, dimension etc	Article No./Reference
Designed by	Checked by	Approved by - date	Filename Date Scale
IP	IP	29/07/22	IP-SSR604025-HD-OR 29/07/22 1:10
			600x400x250 HD STEEL SLOPING ROOF ENCLOSURE
IP-SSR604025-HD-OR			Edition 0 Sheet 1/1