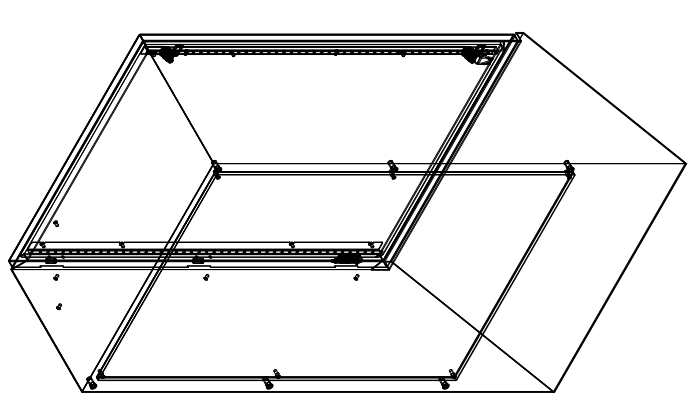
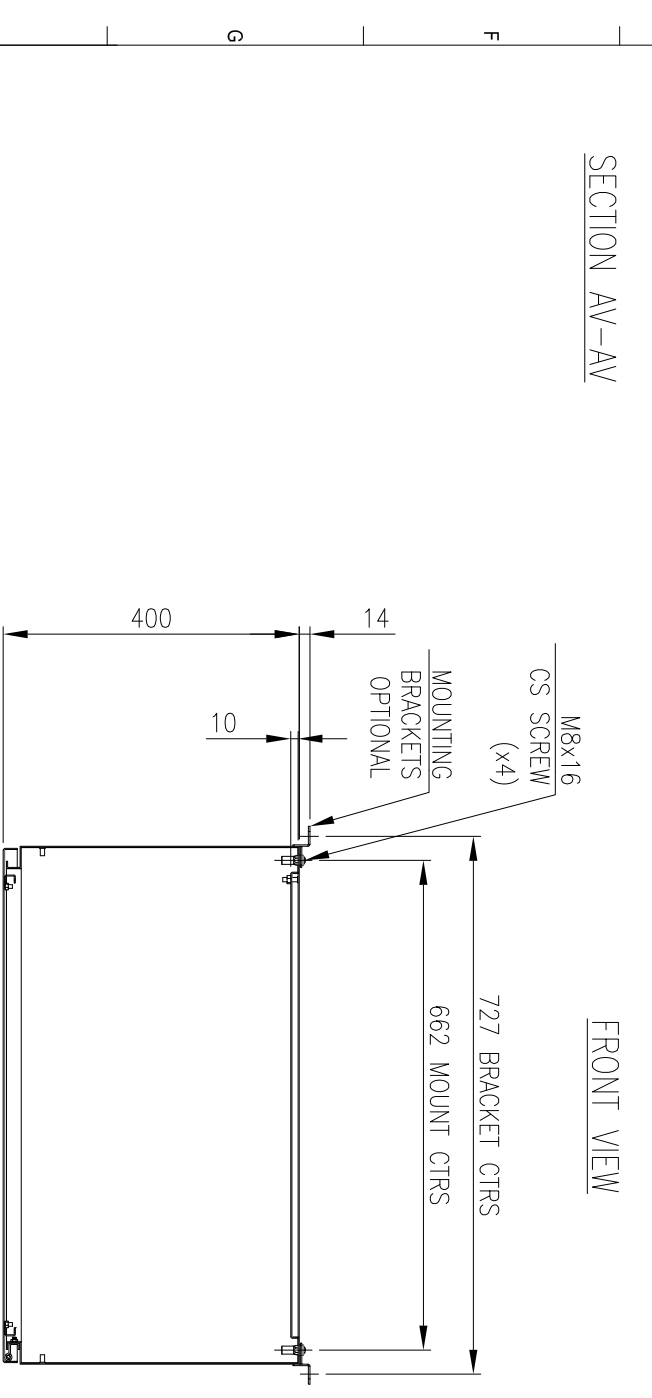
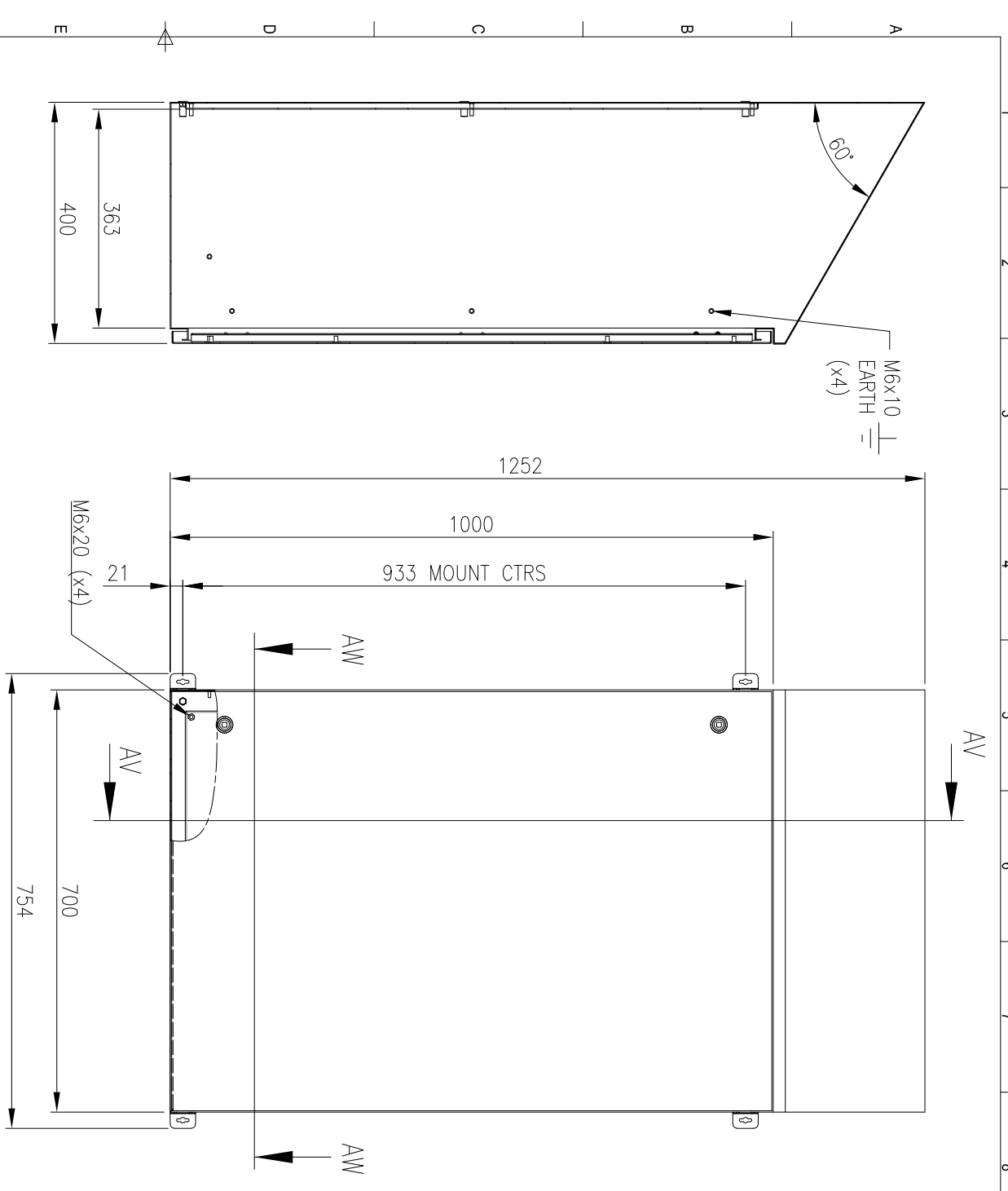
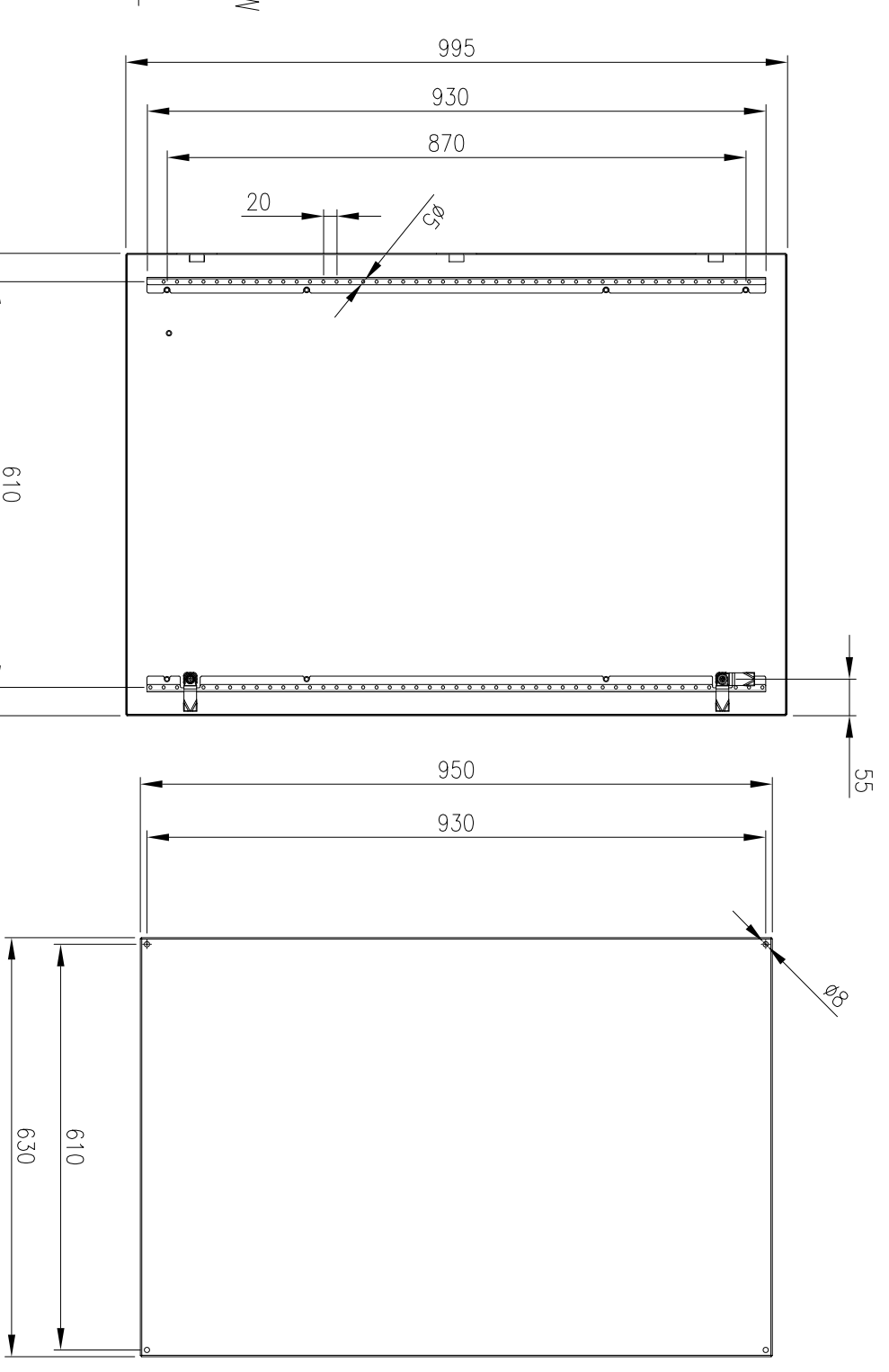


RevNo	Revision note	Date	Signature	Checked
2	GENERAL REVISION	9/7/19	IP	IP



**MATERIAL**  
 BODY: 1.5mm 316 STAINLESS STEEL  
 DOOR: 1.5mm 316 STAINLESS STEEL  
 DEVICE PLATE: 1.5mm GALV STEEL  
 SEAL: POLYURETHANE

**PROTECTION:** IP66 IK10, NEMA4x  
**STANDARD:** IEC62208, IEC/EN/AS60529

Item	Quantity	TradeName, designation, material, dimension etc.	File name	Article No./Reference	Scale
IP Enclosures			IP-SSSR1007040-01		1:10

© IP ENCLOSURES 2016.  
 THIS DRAWING SHALL NOT BE COPIED OR REPRODUCED  
 WITHOUT AUTHORISATION FROM IP ENCLOSURES.  
 www.ipenclosures.com.au